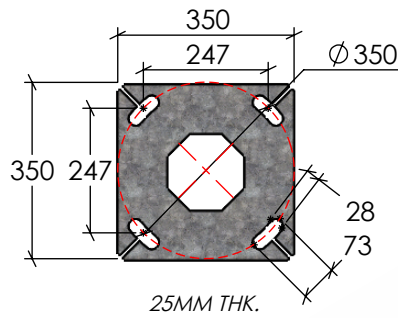


**FRONT ELEVATION**

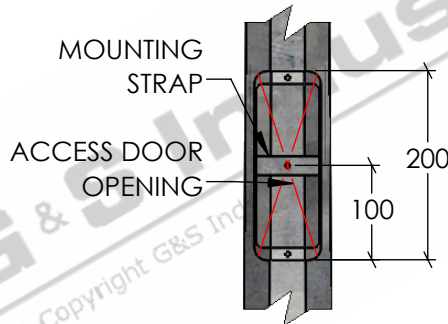
SCALE 1:35

34OD X 140MM SPIGOT AS STANDARD, CAN BE MODIFIED TO SUIT CLIENT SPECIFICATION



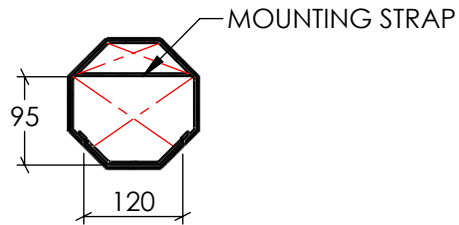
**BASEPLATE DETAILS**

SCALE 1:15



**ELEVATION ON DOOR**

SCALE 1:12



**SECTION A-A**

**ACCESS DOOR CLEARANCE DETAIL**

SCALE 1:8

**STANDARDS**

- ALL PRODUCTS TO CONFORM TO THE FOLLOWING AUSTRALIAN STANDARDS.
- \* AS 1170.2 Structural design actions - Wind actions.
- \* AS 1554(set) Structural steel welding set.
- \* AS 2159: Piling - Design & Installation.
- \* AS 2870: Residential slab footings - Construction.
- \* AS 3600: Concrete structures.
- \* AS 3678: Structural steel - Hot rolled plates, floorplates and slabs.
- \* AS 4680: Hot dip galvanized (Zinc) Coatings on fabricated ferrous articles.
- \* AS/NZS 4671: Steel reinforcing materials.
- \* AS/NZS 4600: Cold formed steel structures.

**PROPRIETARY AND CONFIDENTIAL**

THE INFORMATION CONTAINED IN THIS DRAWING IS THE SOLE PROPERTY OF G&S INDUSTRIES. ANY REPRODUCTION IN PART OR AS A WHOLE WITHOUT THE WRITTEN PERMISSION OF G&S INDUSTRIES IS PROHIBITED.

SCALE: AS SHOWN PRODUCT WEIGHT: 82kg.

PRODUCT FINISH: HOT DIPPED GALVANIZED

CUSTOMER APPROVAL:

CUSTOMER NAME / PROJECT:

NAME DATE

DRAWN	N. A.	14.10.2022
CHECKED	S. G.	14.10.2022
APPROVED	R. G.	14.10.2022

PART NUMBER :

**SL6.5MIB**

TITLE :

**6.5M BASEPLATE MOUNTED STREET LIGHT OCTAGONAL POLE**

**COPYRIGHT**

THIS DOCUMENT IS PRODUCED BY G&S INDUSTRIES MUST NOT BE COPIED, TRACED, REPRODUCED, OR LENT WITHOUT WRITTEN CONSENT

SIZE DWG. NO.

**A4 ZLRG2162**

REV.

**0**

SHEET 1 OF 1



**G & S Industries**

97 GUTHRIE STREET,  
OSBORNE PARK W.A. 6017  
PH : +6108 9446 8044  
EMAIL: sales@gsindustries.com.au  
WEB: www.gsindustries.com.au