

4

3

2

1

F

F

E

E

D

D

C

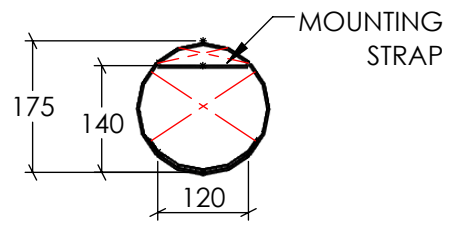
C

B

B

A

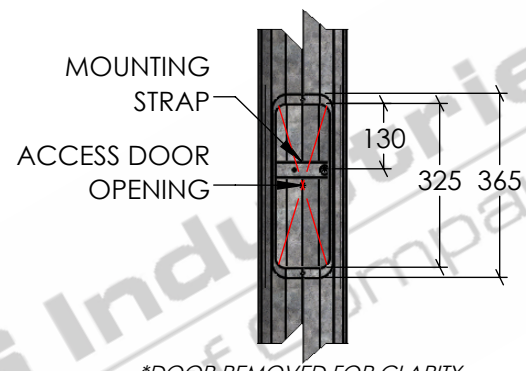
A



SECTION A-A

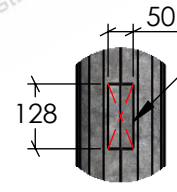
ACCESS DOOR CLEARANCE DETAIL

SCALE 1:10



ELEVATION ON DOOR

SCALE 1:15



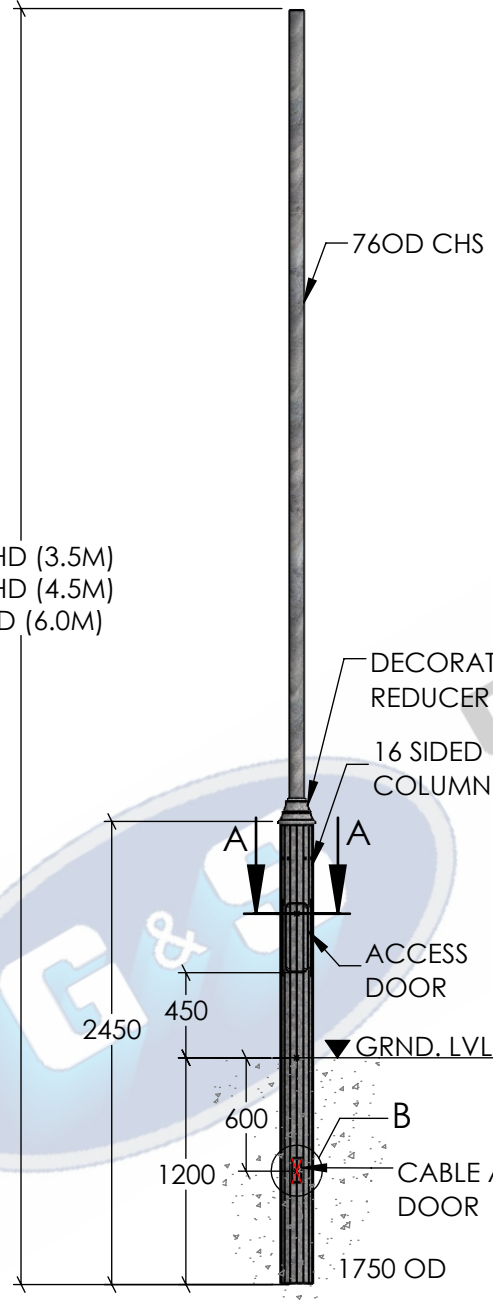
DETAIL B

*ONE OF EACH SIDE

100 X 50MM CABLE ENTRY

SCALE 1:15

SL3.5HD (3.5M)
SL4.5HD (4.5M)
SL6HD (6.0M)



FRONT ELEVATION

SCALE 1:25

DESCRIPTION	
HEIGHT OF COLUMN	WEIGHT OF COLUMN
3.5M	55.0KGs
4.5M	61.0KGs
6.0M	71.0KGs

STANDARDS

- ALL PRODUCTS TO CONFORM TO THE FOLLOWING AUSTRALIAN STANDARDS
- * AS 1554(set) Structural steel welding set.
- * AS 2159: Piling - Design & Installation.
- * AS 2870: Residential slab footings - Construction.
- * AS 3600: Concrete structures.
- * AS 3678: Structural steel - Hot rolled plates, floorplates and slabs.
- * AS 4680: Hot dip galvanized (Zinc) Coatings on fabricated ferrous articles.
- * AS/NZS 4671: Steel reinforcing materials.
- * AS/NZS 4676: Structural design requirements for utility services poles.



G&S Industries
Group of Companies
97 GUTHRIE STREET,
OSBORNE PARK W.A. 6017
PH : +6108 9446 8044
EMAIL: sales@gsindustries.com.au
WEB: www.gsindustries.com.au

PROPRIETARY AND CONFIDENTIAL
THE INFORMATION CONTAINED IN THIS DRAWING IS THE SOLE PROPERTY OF G&S INDUSTRIES. ANY REPRODUCTION IN PART OR AS A WHOLE WITHOUT THE WRITTEN PERMISSION OF G&S INDUSTRIES IS PROHIBITED.

SCALE: AS SHOWN

PRODUCT FINISH: H.D.G (HOT DIPPED GALVANIZED) PRODUCT WEIGHT: AS SHOWN

CUSTOMER APPROVAL:

CUSTOMER NAME / PROJECT:

	NAME	DATE	PART NUMBER : SL3.5HD, SL4.5HD, SL6.0HD
DRAWN	N.C. A.	04.06.2020	
CHECKED	RG	04.06.2020	
REVISED	N.C. A.	30.06.2020	
COPYRIGHT			TITLE : HERITAGE STREETLIGHTING POLE DIRECT BURIAL
THIS DOCUMENT IS PRODUCED BY G&S INDUSTRIES MUST NOT BE COPIED, TRACED, REPRODUCED, OR LENT WITHOUT WRITTEN CONSENT			
SIZE	DWG. NO.	REV. 0	
A4	ZLRG2165		

4

3

2

1