

4

3

2

1

F

F

E

E

D

D

C

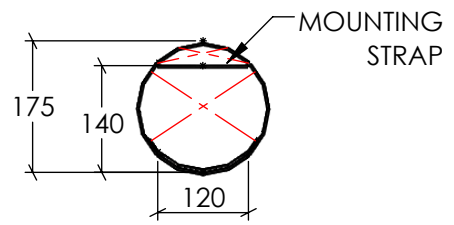
C

B

B

A

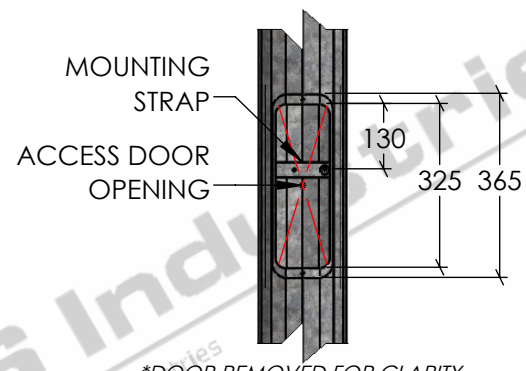
A



SECTION A-A

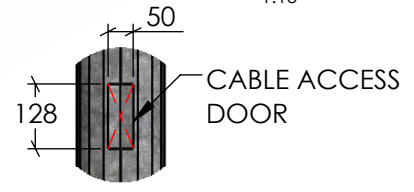
ACCESS DOOR CLEARANCE DETAIL

SCALE 1:10



ELEVATION ON DOOR

SCALE 1:15



DETAIL B

*ONE OF EACH SIDE

100 X 50MM CABLE ENTRY

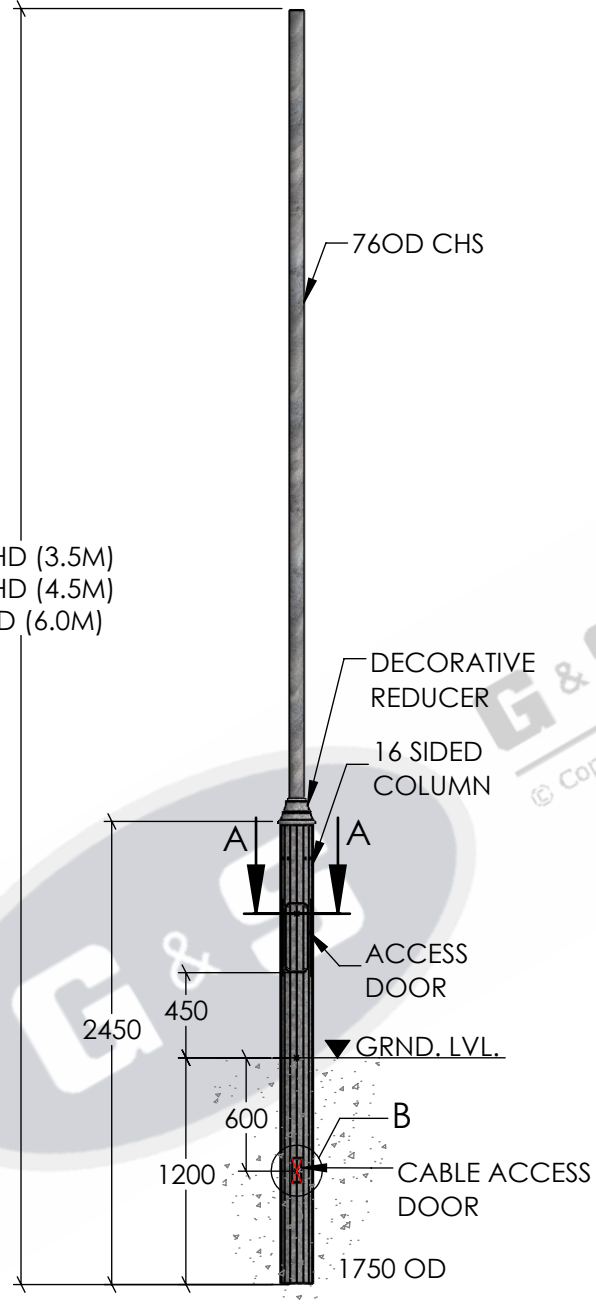
SCALE 1:15

DESCRIPTION	
HEIGHT OF COLUMN	WEIGHT OF COLUMN
3.5M	55.0KGs
4.5M	61.0KGs
6.0M	71.0KGs

STANDARDS

- ALL PRODUCTS TO CONFORM TO THE FOLLOWING AUSTRALIAN STANDARDS.
- * AS 1170.2 Structural design actions - Wind actions.
 - * AS 1554(set) Structural steel welding set.
 - * AS 2159: Piling - Design & Installation.
 - * AS 2870: Residential slab footings - Construction.
 - * AS 3600: Concrete structures.
 - * AS 3678: Structural steel - Hot rolled plates, floorplates and slabs.
 - * AS 4680: Hot dip galvanized (Zinc) Coatings on fabricated ferrous articles.
 - * AS/NZS 4671: Steel reinforcing materials.
 - * AS/NZS 4600: Cold formed steel structures.

SL3.5HD (3.5M)
 SL4.5HD (4.5M)
 SL6HD (6.0M)



FRONT ELEVATION

SCALE 1:25



G & S Industries
 97 GUTHRIE STREET,
 OSBORNE PARK W.A. 6017
 PH : +6108 9446 8044
 EMAIL: sales@gsindustries.com.au
 WEB: www.gsindustries.com.au

PROPRIETARY AND CONFIDENTIAL	
THE INFORMATION CONTAINED IN THIS DRAWING IS THE SOLE PROPERTY OF G&S INDUSTRIES. ANY REPRODUCTION IN PART OR AS A WHOLE WITHOUT THE WRITTEN PERMISSION OF G&S INDUSTRIES IS PROHIBITED.	
SCALE: AS SHOWN	PRODUCT WEIGHT: AS SHOWN
PRODUCT FINISH: HOT DIPPED GALVANIZED	
CUSTOMER APPROVAL:	
CUSTOMER NAME / PROJECT:	

	NAME	DATE	PART NUMBER:
DRAWN	N. A.	14.10.2022	SL3.5HD, SL4.5HD, SL6.0HD
CHECKED	S. G.	14.10.2022	TITLE:
APPROVED	R. G.	14.10.2022	HERITAGE STREETLIGHTING POLE DIRECT BURIAL
COPYRIGHT			
THIS DOCUMENT IS PRODUCED BY G&S INDUSTRIES MUST NOT BE COPIED, TRACED, REPRODUCED, OR LENT WITHOUT WRITTEN CONSENT			

SIZE A4	DWG. NO. ZLRG2165	REV. 0
SHEET 1 OF 1		

4

3

2

1