

4

3

2

1

F

F

E

E

D

D

C

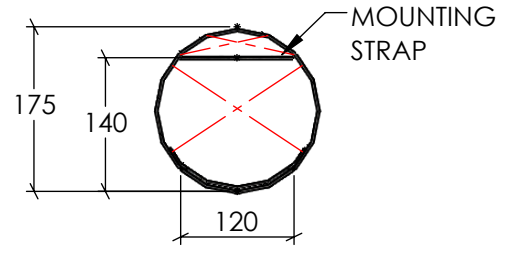
C

B

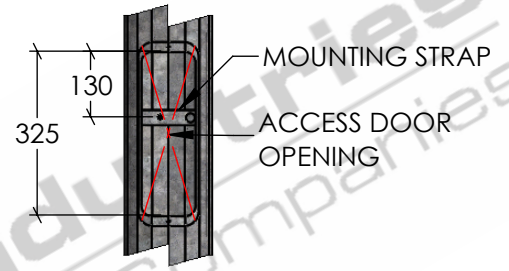
B

A

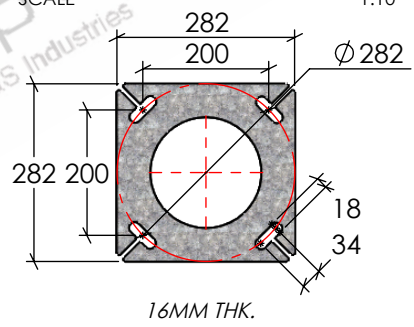
A



SECTION A-A  
**ACCESS DOOR CLEARANCE DETAIL**  
 SCALE 1:8



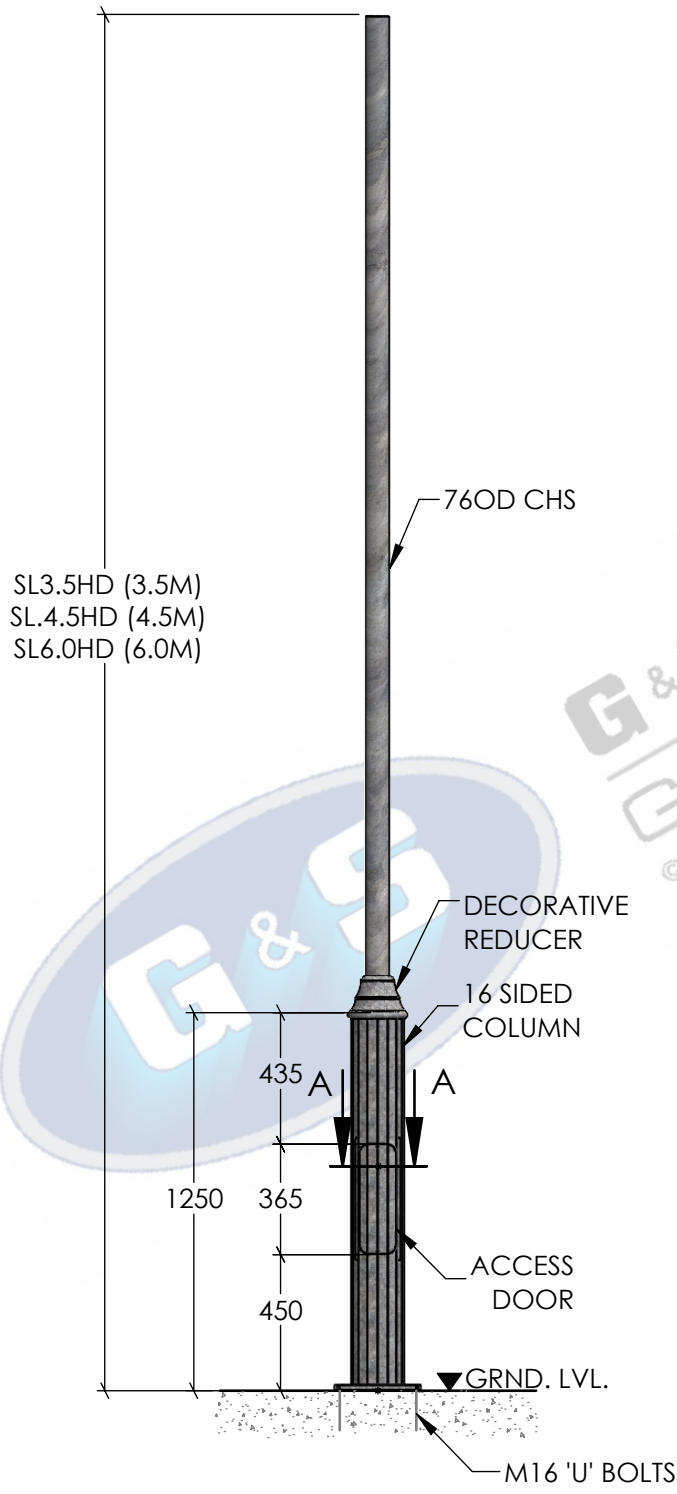
\*DOOR REMOVED FOR CLARITY  
**ELEVATION ON DOOR**  
 SCALE 1:10



**BASEPLATE DETAILS**  
 SCALE 1:12

DESCRIPTION	
HEIGHT OF COLUMN	WEIGHT OF COLUMN
3.5M	47.0KGs
4.5M	53.0KGs
6.0M	63.0KGs

- STANDARDS  
 ALL PRODUCTS TO CONFORM TO THE FOLLOWING AUSTRALIAN STANDARDS
- \* AS 1554(set) Structural steel welding set.
  - \* AS 2159: Piling - Design & Installation.
  - \* AS 2870: Residential slab footings - Construction.
  - \* AS 3600: Concrete structures.
  - \* AS 3678: Structural steel - Hot rolled plates, floorplates and slabs.
  - \* AS 4680: Hot dip galvanized (Zinc) Coatings on fabricated ferrous articles.
  - \* AS/NZS 4671: Steel reinforcing materials.
  - \* AS/NZS 4676: Structural design requirements for utility services poles.



**FRONT ELEVATION**  
 SCALE 1:25

SL3.5HD (3.5M)  
 SL4.5HD (4.5M)  
 SL6.0HD (6.0M)

**G&S Industries**  
 Group of Companies  
 97 GUTHRIE STREET,  
 OSBORNE PARK W.A. 6017  
 PH : +6108 9446 8044  
 EMAIL: sales@gsindustries.com.au  
 WEB: www.gsindustries.com.au

<b>PROPRIETARY AND CONFIDENTIAL</b>	
THE INFORMATION CONTAINED IN THIS DRAWING IS THE SOLE PROPERTY OF G&S INDUSTRIES. ANY REPRODUCTION IN PART OR AS A WHOLE WITHOUT THE WRITTEN PERMISSION OF G&S INDUSTRIES IS PROHIBITED.	
SCALE: AS SHOWN	PRODUCT WEIGHT: AS SHOWN
PRODUCT FINISH: H.D.G (HOT DIPPED GALVANIZED)	CUSTOMER APPROVAL:
CUSTOMER NAME / PROJECT:	

NAME	DATE	PART NUMBER : <b>SL3.5HB, SL4.5HB, SL6.0HB</b>
DRAWN N.C. A.	04.06.2020	
CHECKED RG	04.06.2020	
REVISED N.C. A.	30.06.2020	
<b>COPYRIGHT</b>		TITLE : <b>HERITAGE STREETLIGHTING COLUMN BASEPLATE MOUNTED</b>
THIS DOCUMENT IS PRODUCED BY G&S INDUSTRIES MUST NOT BE COPIED, TRACED, REPRODUCED, OR LENT WITHOUT WRITTEN CONSENT		
SIZE A4	DWG. NO. ZLRG2165	REV. 0

4

3

2

1