

4

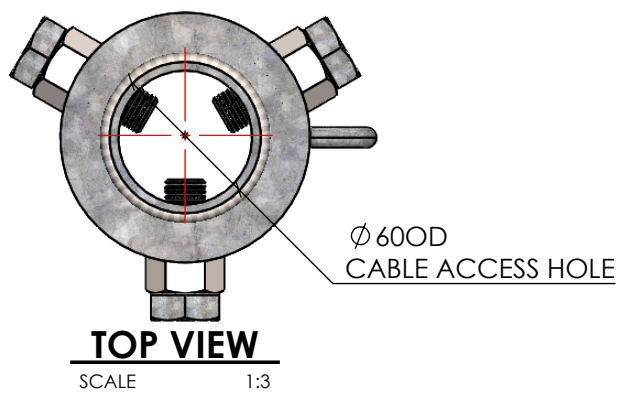
3

2

1

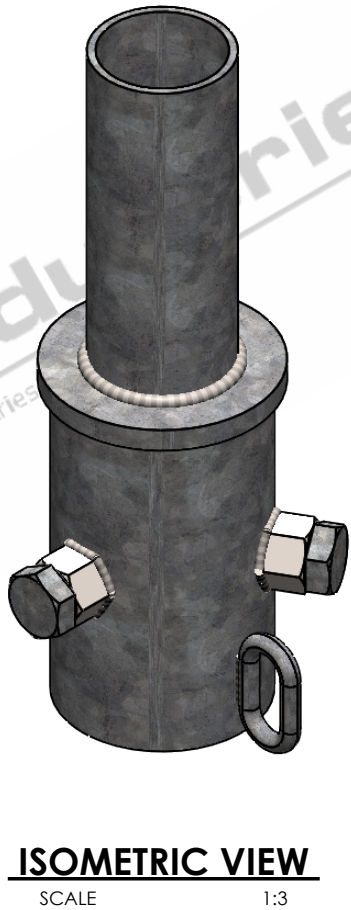
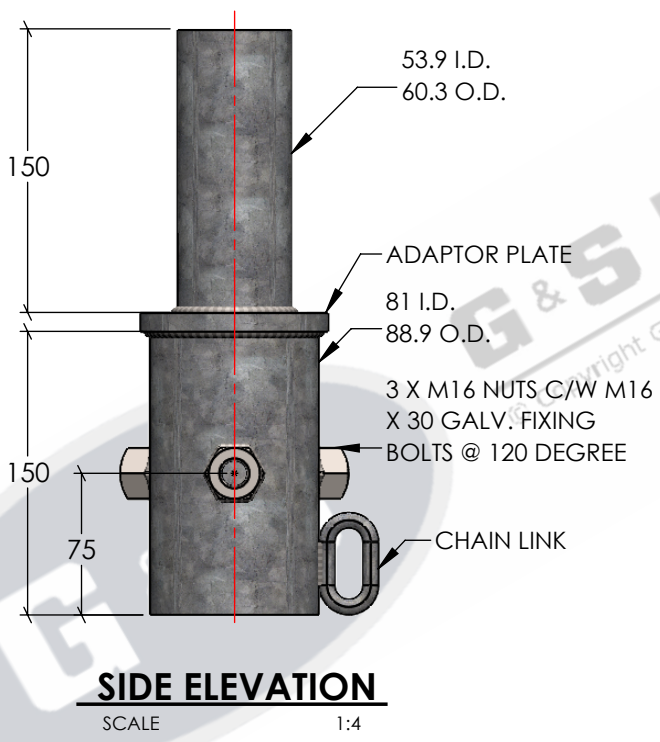
F

F



E

E



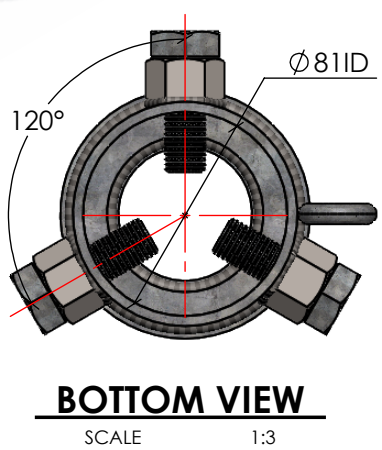
C

C

***80NB/900D TO 50NB/600D**

B

B



- STANDARDS**
ALL PRODUCTS TO CONFORM TO THE FOLLOWING AUSTRALIAN STANDARDS.
- * AS 1170.2 Structural design actions - Wind actions.
 - * AS 1554(set) Structural steel welding set.
 - * AS 2159: Piling - Design & Installation.
 - * AS 2870: Residential slab footings - Construction.
 - * AS 3600: Concrete structures.
 - * AS 3678: Structural steel - Hot rolled plates, floorplates and slabs.
 - * AS 4680: Hot dip galvanized (Zinc) Coatings on fabricated ferrous articles.
 - * AS/NZS 4671: Steel reinforcing materials.
 - * AS/NZS 4600: Cold formed steel structures.

A

A

<p>G & S Industries 97 GUTHRIE STREET, OSBORNE PARK W.A. 6017 PH : +6108 9446 8044 EMAIL: sales@gsindustries.com.au WEB: www.gsindustries.com.au</p>	PROPRIETARY AND CONFIDENTIAL		NAME	DATE	PART NUMBER : SA80NB/600D
	THE INFORMATION CONTAINED IN THIS DRAWING IS THE SOLE PROPERTY OF G&S INDUSTRIES . ANY REPRODUCTION IN PART OR AS A WHOLE WITHOUT THE WRITTEN PERMISSION OF G&S INDUSTRIES IS PROHIBITED.		DRAWN	N. A. 14.10.2022	
	SCALE: AS SHOWN	PRODUCT WEIGHT: 3.0kg.	CHECKED	S. G. 14.10.2022	TITLE :
	PRODUCT FINISH: HOT DIPPED GALVANIZED		APPROVED	R. G. 14.10.2022	SPIGOT ADAPTOR 80NB/900D TO 50NB/600D
	CUSTOMER APPROVAL :				
CUSTOMER NAME / PROJECT :					
		COPYRIGHT		SIZE	DWG. NO.
		THIS DOCUMENT IS PRODUCED BY G&S INDUSTRIES MUST NOT BE COPIED, TRACED, REPRODUCED, OR LENT WITHOUT WRITTEN CONSENT		A4	ZLRG713A4
					REV. 0
				SHEET 1 OF 1	

4

3

2

1