

4

3

2

1

F

F

E

E

D

D

C

C

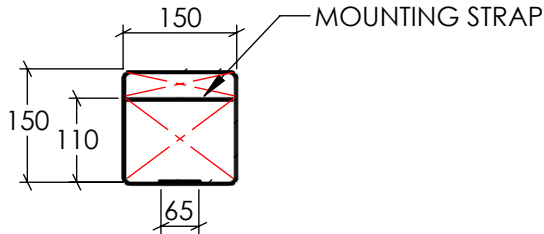
B

B

A

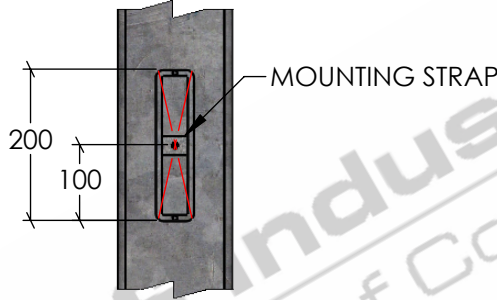
A

76OD X 150MM SPIGOT WITH INTERNAL CABLE SUPPORT ROD



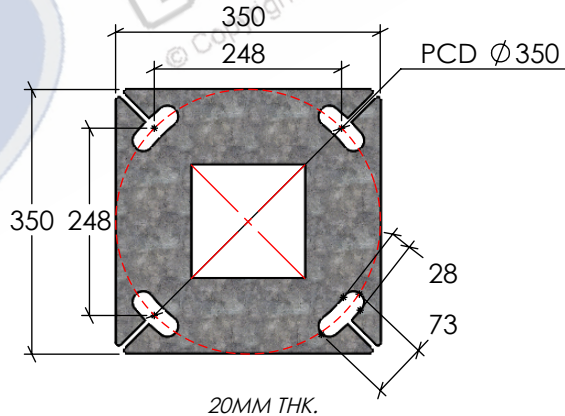
### ACCESS DOOR CLEARANCE DETAIL

SCALE 1:10



### ELEVATION ON DOOR

SCALE 1:10



SCALE 1:10

### ISOMETRIC ELEVATION

SCALE 1:30

6000

150 X 150 SHS

A A

200

ACCESS DOOR

600

LIFTING LUG

GRND. LVL.

### FRONT ELEVATION

SCALE 1:30

#### STANDARDS

- ALL PRODUCTS TO CONFORM TO THE FOLLOWING AUSTRALIAN STANDARDS
- \* AS 1554(set) Structural steel welding set.
- \* AS 2159: Piling - Design & Installation.
- \* AS 2870: Residential slab footings - Construction.
- \* AS 3600: Concrete structures.
- \* AS 3678: Structural steel - Hot rolled plates, floorplates and slabs.
- \* AS 4680: Hot dip galvanized (Zinc) Coatings on fabricated ferrous articles.
- \* AS/NZS 4671: Steel reinforcing materials.
- \* AS/NZS 4676: Structural design requirements for utility services poles.



**G&S Industries**  
Group of Companies  
97 GUTHRIE STREET,  
OSBORNE PARK W.A. 6017  
PH : +6108 9446 8044  
EMAIL: sales@gsindustries.com.au  
WEB: www.gsindustries.com.au

#### PROPRIETARY AND CONFIDENTIAL

THE INFORMATION CONTAINED IN THIS DRAWING IS THE SOLE PROPERTY OF G&S INDUSTRIES. ANY REPRODUCTION IN PART OR AS A WHOLE WITHOUT THE WRITTEN PERMISSION OF G&S INDUSTRIES IS PROHIBITED.

SCALE: AS SHOWN

PRODUCT FINISH: H.D.G (HOT DIPPED GALVANIZED)

PRODUCT WEIGHT: 189kg.

CUSTOMER APPROVAL:

CUSTOMER NAME / PROJECT:

|   |         |            |               |                                |
|---|---------|------------|---------------|--------------------------------|
|   | NAME    | DATE       | PART NUMBER : | <b>S150B6</b>                  |
| DRAWN   | N.C. A. | 04.06.2020 | TITLE :       | <b>6M 150 X 150MM SHS POLE</b> |
| CHECKED   | RG      | 04.06.2020 | SIZE          | <b>A4</b>                      |
| REVISED   | N.C. A. | 30.06.2020 | DWG. NO.      | <b>ZLRG2124</b>                |
| <b>COPYRIGHT</b>  |         |            |               | REV. <b>0</b>                  |
| THIS DOCUMENT IS PRODUCED BY G&S INDUSTRIES MUST NOT BE COPIED, TRACED, REPRODUCED, OR LENT WITHOUT WRITTEN CONSENT |         |            |               | SHEET 1 OF 1                   |

4

3

2

1