

4

3

2

1

F

F

E

E

D

D

C

C

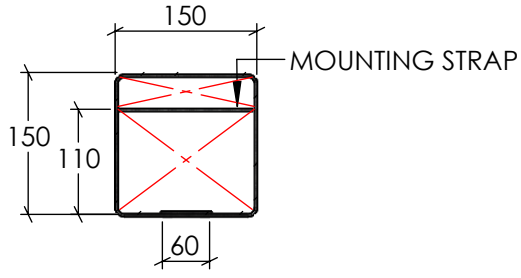
B

B

A

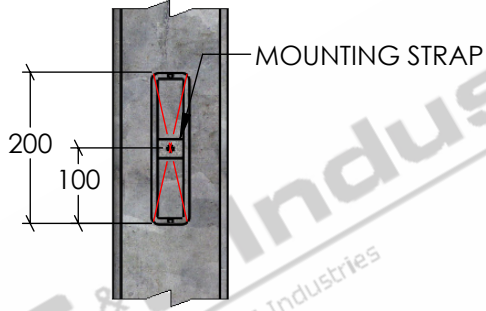
A

76OD X 150MM
SPIGOT WITH
INTERNAL CABLE
SUPPORT ROD



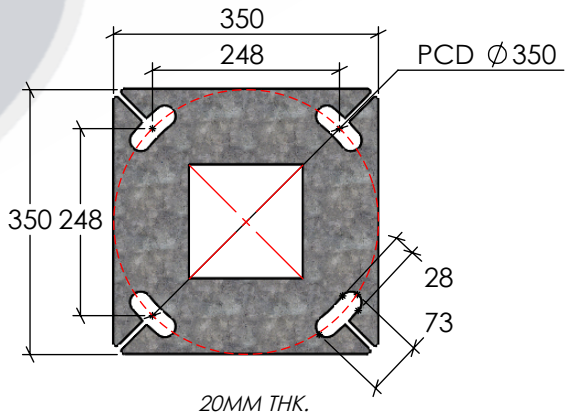
SECTION A-A
ACCESS DOOR CLEARANCE DETAIL

SCALE 1:8



**DOOR REMOVED FOR CLARITY*
ELEVATION ON DOOR

SCALE 1:10

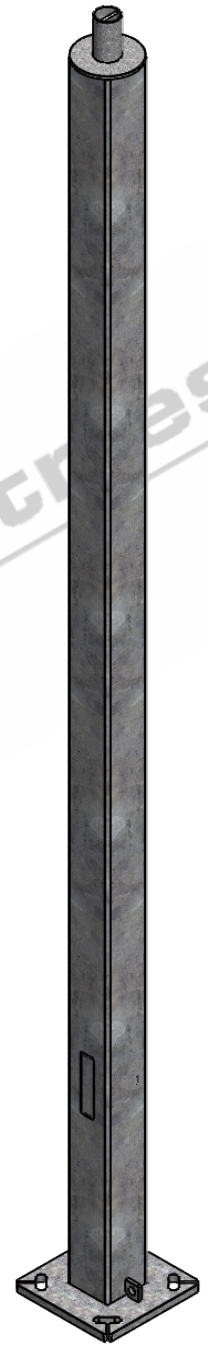


BASEPLATE DETAILS

SCALE 1:10

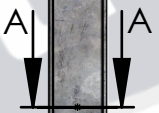
ISOMETRIC ELEVATION

SCALE 1:20



4000

150 X 150 SHS



200 ACCESS DOOR

600

LIFTING LUG

GRND. LVL.

FRONT ELEVATION

SCALE 1:20

STANDARDS

- ALL PRODUCTS TO CONFORM TO THE FOLLOWING AUSTRALIAN STANDARDS.
- * AS 1170.2 Structural design actions - Wind actions.
 - * AS 1554(set) Structural steel welding set.
 - * AS 2159: Piling - Design & Installation.
 - * AS 2870: Residential slab footings - Construction.
 - * AS 3600: Concrete structures.
 - * AS 3678: Structural steel - Hot rolled plates, floorplates and slabs.
 - * AS 4680: Hot dip galvanized (Zinc) Coatings on fabricated ferrous articles.
 - * AS/NZS 4671: Steel reinforcing materials.
 - * AS/NZS 4600: Cold formed steel structures.



PROPRIETARY AND CONFIDENTIAL
THE INFORMATION CONTAINED IN THIS DRAWING IS THE SOLE PROPERTY OF G&S INDUSTRIES. ANY REPRODUCTION IN PART OR AS A WHOLE WITHOUT THE WRITTEN PERMISSION OF G&S INDUSTRIES IS PROHIBITED.

SCALE: AS SHOWN PRODUCT WEIGHT: 135kg.

PRODUCT FINISH: HOT DIPPED GALVANIZED

CUSTOMER APPROVAL:

CUSTOMER NAME / PROJECT:

	NAME	DATE
DRAWN	N. A.	14.10.2022
CHECKED	S. G.	14.10.2022
APPROVED	R. G.	14.10.2022

PART NUMBER : **S150B4**

TITLE : **4M 150 X 150MM SHS POLE**

COPYRIGHT
THIS DOCUMENT IS PRODUCED BY G&S INDUSTRIES
MUST NOT BE COPIED, TRACED, REPRODUCED,
OR LENT WITHOUT WRITTEN CONSENT

SIZE **A4** DWG. NO. **ZLRG2122** REV. **0**

G & S Industries
97 GUTHRIE STREET,
OSBORNE PARK W.A. 6017
PH : +6108 9446 8044
EMAIL: sales@gsindustries.com.au
WEB: www.gsindustries.com.au

4

3

2

1