

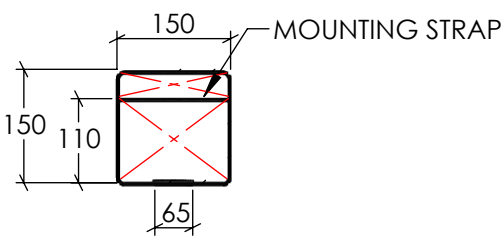
4

3

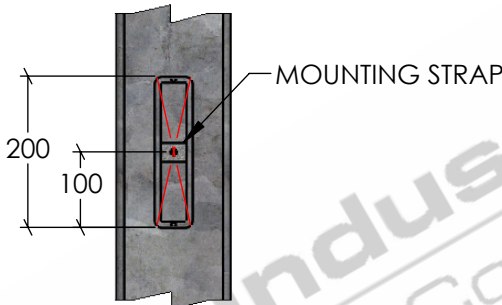
2

1

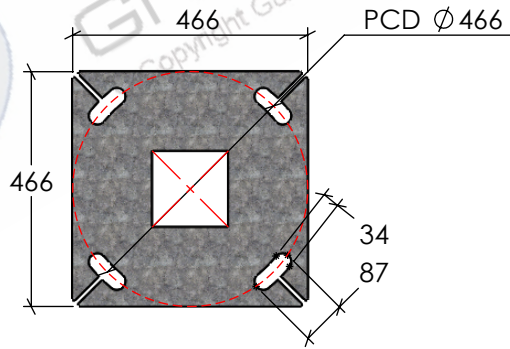
76OD X 150MM
SPIGOT WITH
INTERNAL CABLE
SUPPORT ROD



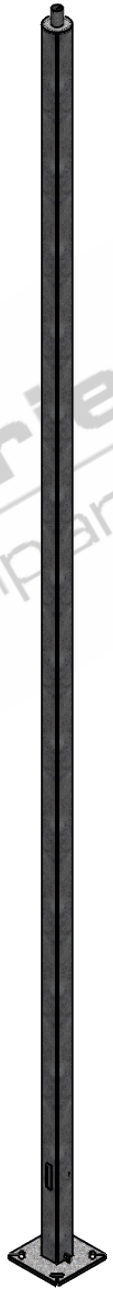
**SECTION A-A
ACCESS DOOR CLEARANCE DETAIL**
SCALE 1:10



**DOOR REMOVED FOR CLARITY*
ELEVATION ON DOOR
SCALE 1:10



BASEPLATE DETAILS
SCALE 1:15



ISOMETRIC ELEVATION
SCALE 1:50

10000

150 X 150 SHS

A A

200 ACCESS DOOR

600 LIFTING LUG

GRND. LVL.

FRONT ELEVATION
SCALE 1:50

- STANDARDS**
ALL PRODUCTS TO CONFORM TO THE FOLLOWING AUSTRALIAN STANDARDS
- * AS 1554(set) Structural steel welding set.
 - * AS 2159: Piling - Design & Installation.
 - * AS 2870: Residential slab footings - Construction.
 - * AS 3600: Concrete structures.
 - * AS 3678: Structural steel - Hot rolled plates, floorplates and slabs.
 - * AS 4680: Hot dip galvanized (Zinc) Coatings on fabricated ferrous articles.
 - * AS/NZS 4671: Steel reinforcing materials.
 - * AS/NZS 4676: Structural design requirements for utility services poles.

G&S Industries
Group of Companies
97 GUTHRIE STREET,
OSBORNE PARK W.A. 6017
PH : +6108 9446 8044
EMAIL: sales@gsindustries.com.au
WEB: www.gsindustries.com.au

PROPRIETARY AND CONFIDENTIAL THE INFORMATION CONTAINED IN THIS DRAWING IS THE SOLE PROPERTY OF G&S INDUSTRIES. ANY REPRODUCTION IN PART OR AS A WHOLE WITHOUT THE WRITTEN PERMISSION OF G&S INDUSTRIES IS PROHIBITED.	
SCALE: AS SHOWN	PRODUCT WEIGHT: 329kg.
PRODUCT FINISH: H.D.G (HOT DIPPED GALVANIZED)	CUSTOMER APPROVAL:
CUSTOMER NAME / PROJECT:	

NAME	DATE	PART NUMBER : S150B10
DRAWN N.C. A.	04.06.2020	
CHECKED RG	04.06.2020	
REVISED N.C. A.	30.06.2020	
COPYRIGHT THIS DOCUMENT IS PRODUCED BY G&S INDUSTRIES MUST NOT BE COPIED, TRACED, REPRODUCED, OR LENT WITHOUT WRITTEN CONSENT		SIZE DWG. NO. A4 ZLRG2126

TITLE: 10M 150 X 150MM SHS POLE		REV. NO. 0
		SHEET 1 OF 1

4

3

2

1

A

A