

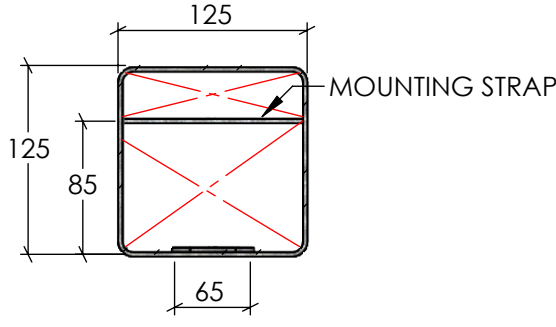
4

3

2

1

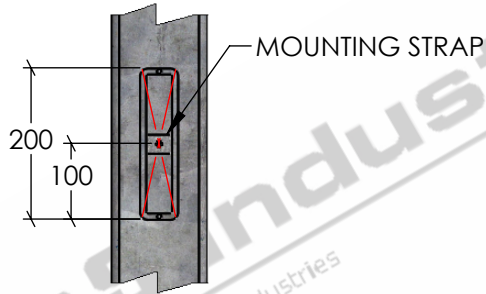
76OD X 150MM SPIGOT WITH INTERNAL CABLE SUPPORT ROD



SECTION A-A

ACCESS DOOR CLEARANCE DETAIL

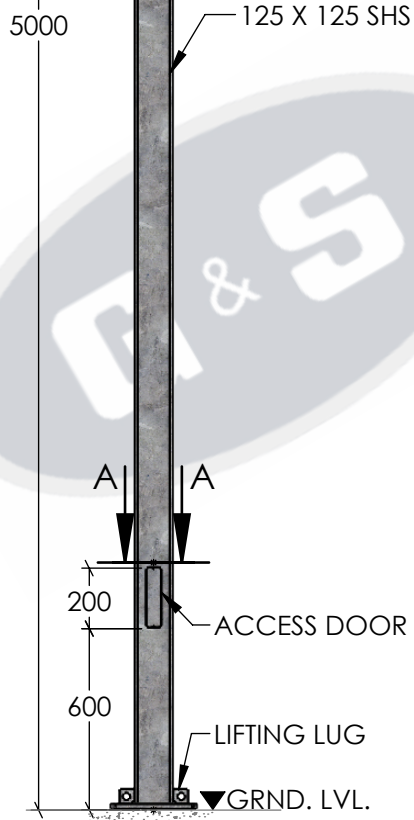
SCALE 1:5



*DOOR REMOVED FOR CLARITY
ELEVATION ON DOOR

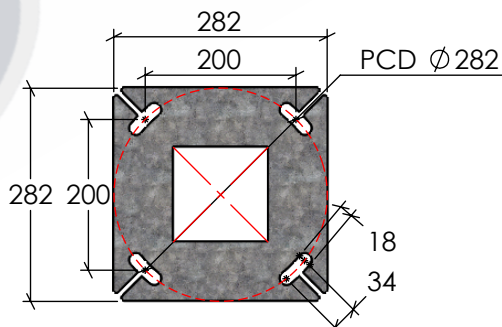
SCALE 1:10

5000



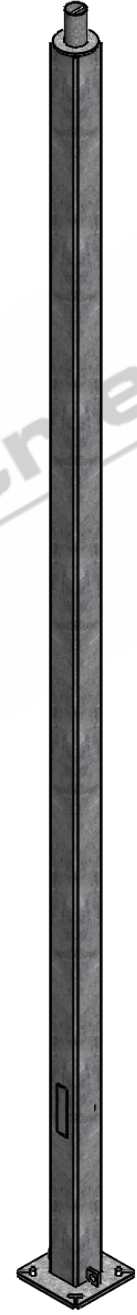
FRONT ELEVATION

SCALE 1:25



16MM THK.
BASEPLATE DETAILS

SCALE 1:10



ISOMETRIC ELEVATION

SCALE 1:25

STANDARDS

- ALL PRODUCTS TO CONFORM TO THE FOLLOWING AUSTRALIAN STANDARDS.
- * AS 1170.2 Structural design actions - Wind actions.
 - * AS 1554(set) Structural steel welding set.
 - * AS 2159: Piling - Design & Installation.
 - * AS 2870: Residential slab footings - Construction.
 - * AS 3600: Concrete structures.
 - * AS 3678: Structural steel - Hot rolled plates, floorplates and slabs.
 - * AS 4680: Hot dip galvanized (Zinc) Coatings on fabricated ferrous articles.
 - * AS/NZS 4671: Steel reinforcing materials.
 - * AS/NZS 4600: Cold formed steel structures.



PROPRIETARY AND CONFIDENTIAL
THE INFORMATION CONTAINED IN THIS DRAWING IS THE SOLE PROPERTY OF G&S INDUSTRIES. ANY REPRODUCTION IN PART OR AS A WHOLE WITHOUT THE WRITTEN PERMISSION OF G&S INDUSTRIES IS PROHIBITED.

SCALE: AS SHOWN PRODUCT WEIGHT: 109kg.
PRODUCT FINISH: HOT DIPPED GALVANIZED

CUSTOMER APPROVAL:
CUSTOMER NAME / PROJECT:

| | NAME | DATE | PART NUMBER : |
|----------|-------|------------|---------------|
| DRAWN | N. A. | 14.10.2022 | S125B5 |
| CHECKED | S. G. | 14.10.2022 | |
| APPROVED | R. G. | 14.10.2022 | |

TITLE :
5M 125 X 125 SHS POLE

COPYRIGHT
THIS DOCUMENT IS PRODUCED BY G&S INDUSTRIES
MUST NOT BE COPIED, TRACED, REPRODUCED,
OR LENT WITHOUT WRITTEN CONSENT

| | | |
|----------------|--------------------------|---------------|
| SIZE A4 | DWG. NO. ZLRG2117 | REV. 0 |
|----------------|--------------------------|---------------|

4

3

2

1

A

A