

4

3

2

1

F

F

E

E

D

D

C

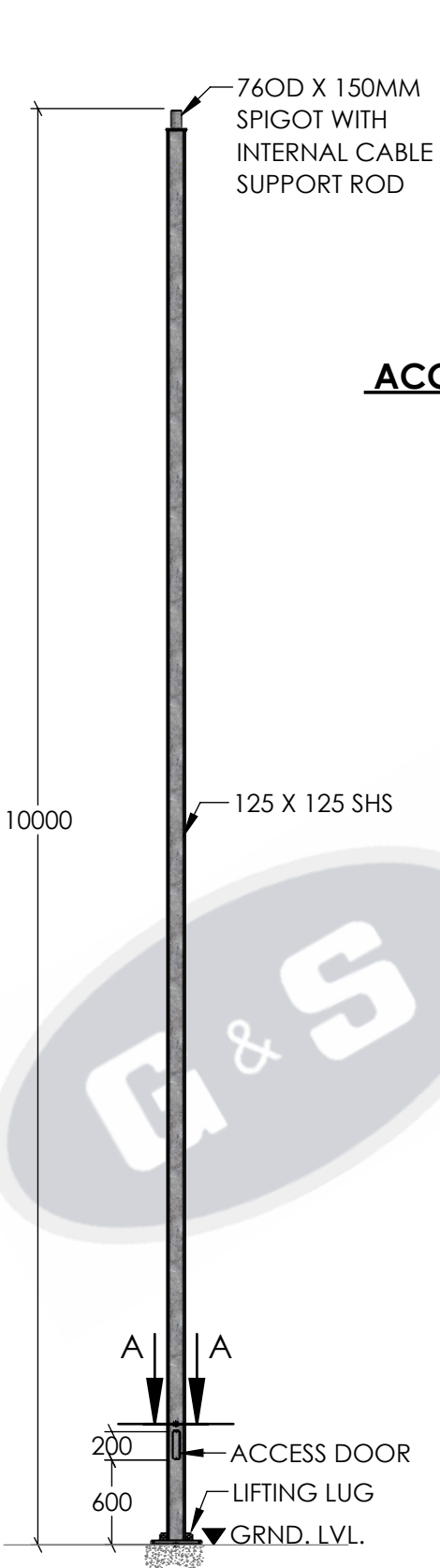
C

B

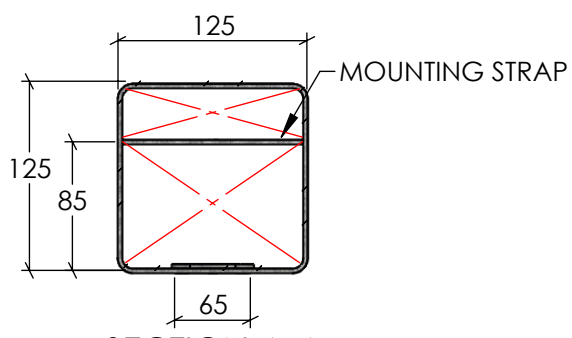
B

A

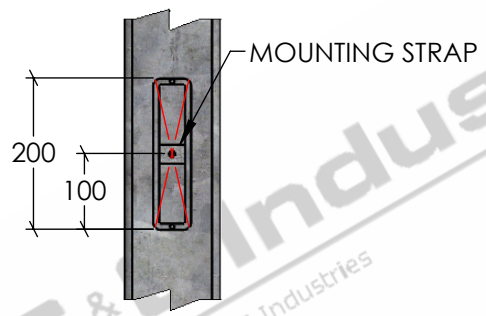
A



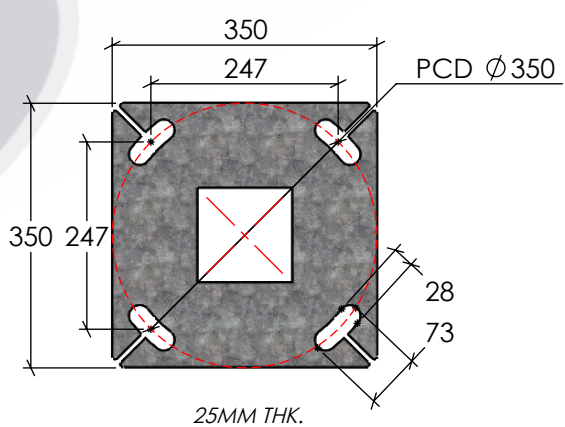
FRONT ELEVATION
SCALE 1:50



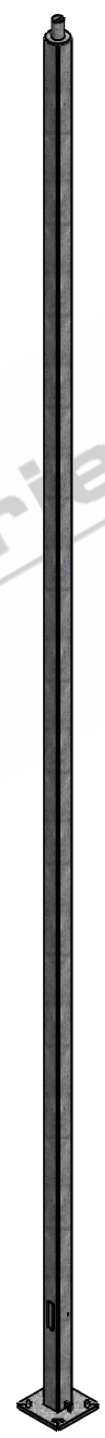
SECTION A-A
ACCESS DOOR CLEARANCE DETAIL
SCALE 1:5



**DOOR REMOVED FOR CLARITY*
ELEVATION ON DOOR
SCALE 1:10



BASEPLATE DETAILS
SCALE 1:10



ISOMETRIC ELEVATION
SCALE 1:45

- STANDARDS**
ALL PRODUCTS TO CONFORM TO THE FOLLOWING AUSTRALIAN STANDARDS.
- * AS 1170.2 Structural design actions - Wind actions.
 - * AS 1554(set) Structural steel welding set.
 - * AS 2159: Piling - Design & Installation.
 - * AS 2870: Residential slab footings - Construction.
 - * AS 3600: Concrete structures.
 - * AS 3678: Structural steel - Hot rolled plates, floorplates and slabs.
 - * AS 4680: Hot dip galvanized (Zinc) Coatings on fabricated ferrous articles.
 - * AS/NZS 4671: Steel reinforcing materials.
 - * AS/NZS 4600: Cold formed steel structures.

G & S Industries
97 GUTHRIE STREET,
OSBORNE PARK W.A. 6017
PH : +6108 9446 8044
EMAIL: sales@gsindustries.com.au
WEB: www.gsindustries.com.au

PROPRIETARY AND CONFIDENTIAL	
THE INFORMATION CONTAINED IN THIS DRAWING IS THE SOLE PROPERTY OF G&S INDUSTRIES. ANY REPRODUCTION IN PART OR AS A WHOLE WITHOUT THE WRITTEN PERMISSION OF G&S INDUSTRIES IS PROHIBITED.	
SCALE: AS SHOWN	PRODUCT WEIGHT: 183kg.
PRODUCT FINISH: HOT DIPPED GALVANIZED	
CUSTOMER APPROVAL:	
CUSTOMER NAME / PROJECT:	

NAME	DATE	PART NUMBER : S125B10
DRAWN N. A.	14.10.2022	
CHECKED S. G.	14.10.2022	
APPROVED R. G.	14.10.2022	
COPYRIGHT		TITLE : 10M 125 X 125MM SHS POLE
THIS DOCUMENT IS PRODUCED BY G&S INDUSTRIES MUST NOT BE COPIED, TRACED, REPRODUCED, OR LENT WITHOUT WRITTEN CONSENT		
SIZE A4	DWG. NO. ZLRG2120	REV. 0

4

3

2

1