

4

3

2

1

F

F

E

E

D

D

C

C

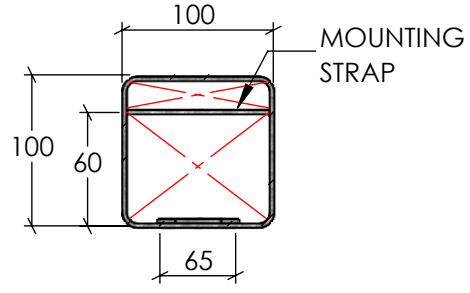
B

B

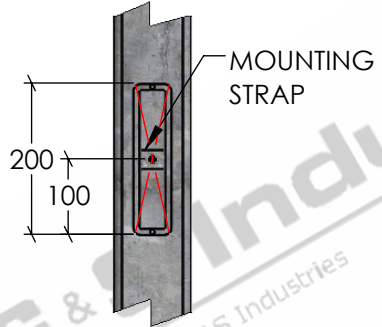
A

A

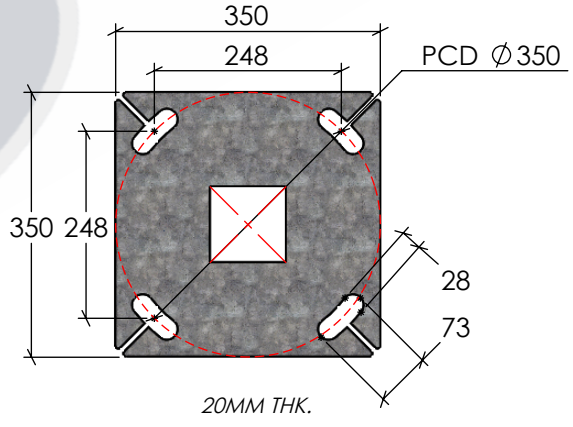
76OD X 150MM SPIGOT WITH INTERNAL CABLE SUPPORT ROD



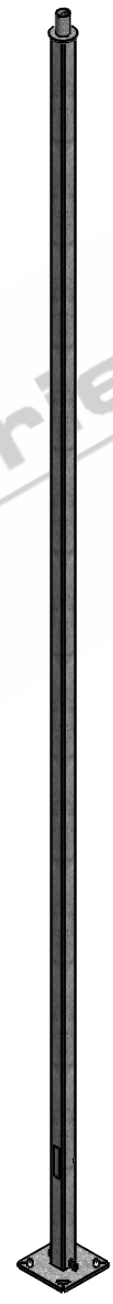
**SECTION A-A**  
**ACCESS DOOR CLEARANCE DETAIL**  
SCALE 1:5



*\*DOOR REMOVED FOR CLARITY*  
**ELEVATION ON DOOR**  
SCALE 1:10

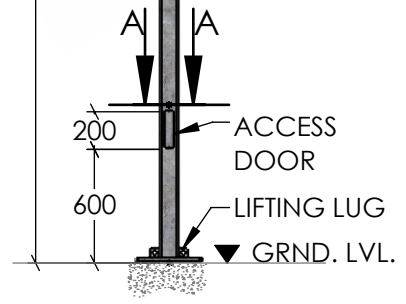


**BASEPLATE DETAILS**  
SCALE 1:10



**ISOMETRIC ELEVATION**  
SCALE 1:40

8000  
100 X 100 SHS



**FRONT ELEVATION**  
SCALE 1:40

**STANDARDS**

- ALL PRODUCTS TO CONFORM TO THE FOLLOWING AUSTRALIAN STANDARDS.
- \* AS 1170.2 Structural design actions - Wind actions.
  - \* AS 1554(set) Structural steel welding set.
  - \* AS 2159: Piling - Design & Installation.
  - \* AS 2870: Residential slab footings - Construction.
  - \* AS 3600: Concrete structures.
  - \* AS 3678: Structural steel - Hot rolled plates, floorplates and slabs.
  - \* AS 4680: Hot dip galvanized (Zinc) Coatings on fabricated ferrous articles.
  - \* AS/NZS 4671: Steel reinforcing materials.
  - \* AS/NZS 4600: Cold formed steel structures.

**G & S Industries**  
97 GUTHRIE STREET,  
OSBORNE PARK W.A. 6017  
PH : +6108 9446 8044  
EMAIL: sales@gsindustries.com.au  
WEB: www.gsindustries.com.au

<b>PROPRIETARY AND CONFIDENTIAL</b>	
THE INFORMATION CONTAINED IN THIS DRAWING IS THE SOLE PROPERTY OF G&S INDUSTRIES. ANY REPRODUCTION IN PART OR AS A WHOLE WITHOUT THE WRITTEN PERMISSION OF G&S INDUSTRIES IS PROHIBITED.	
SCALE: AS SHOWN	PRODUCT WEIGHT: 130kg.
PRODUCT FINISH: HOT DIPPED GALVANIZED	
CUSTOMER APPROVAL :	
CUSTOMER NAME / PROJECT :	

NAME	DATE	PART NUMBER : <b>S100B8</b>
DRAWN N. A.	14.10.2022	
CHECKED S. G.	14.10.2022	
APPROVED R. G.	14.10.2022	
<b>COPYRIGHT</b>		TITLE : <b>8M 100 X 100MM SHS POLE</b>
THIS DOCUMENT IS PRODUCED BY G&S INDUSTRIES MUST NOT BE COPIED, TRACED, REPRODUCED, OR LENT WITHOUT WRITTEN CONSENT		
SIZE <b>A4</b>	DWG. NO. <b>ZLRG2113</b>	REV. <b>0</b>

SHEET 1 OF 1		
--------------	--	--

4

3

2

1