

4

3

2

1

F

F

E

E

D

D

C

C

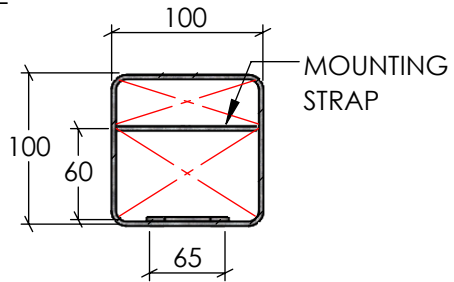
B

B

A

A

76OD X 150MM SPIGOT WITH INTERNAL CABLE SUPPORT ROD

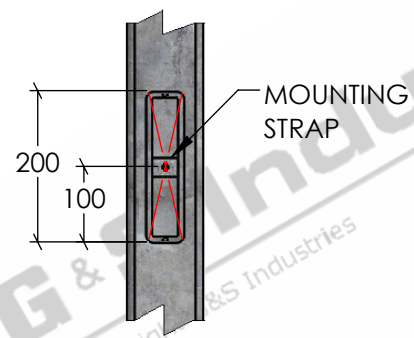


SECTION A-A

ACCESS DOOR CLEARANCE DETAIL

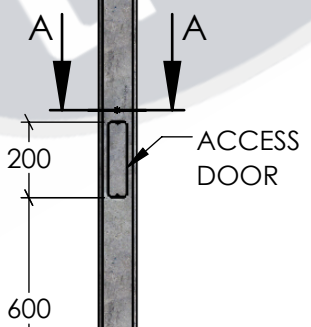
SCALE 1:5

4000
100 X 100 SHS



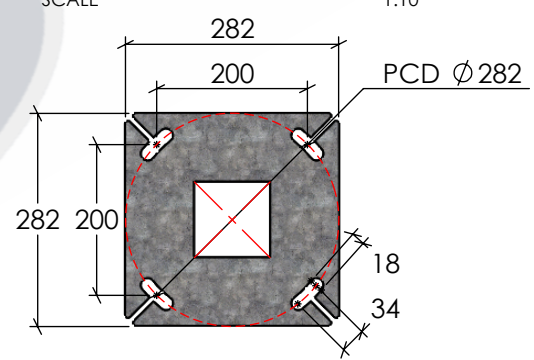
ELEVATION ON DOOR

SCALE 1:10



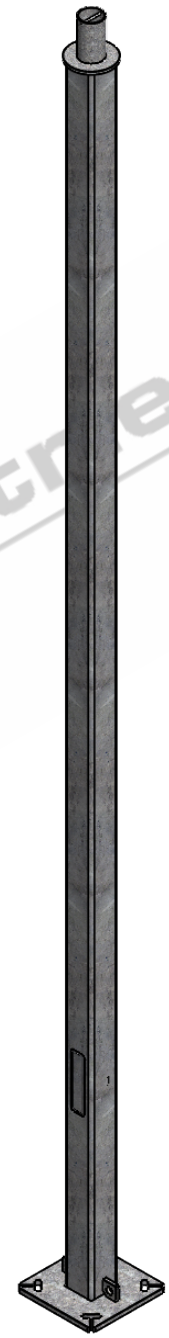
FRONT ELEVATION

SCALE 1:20



BASEPLATE DETAILS

SCALE 1:10



ISOMETRIC ELEVATION

SCALE 1:20

STANDARDS

- ALL PRODUCTS TO CONFORM TO THE FOLLOWING AUSTRALIAN STANDARDS.
- * AS 1170.2 Structural design actions - Wind actions.
 - * AS 1554(set) Structural steel welding set.
 - * AS 2159: Piling - Design & Installation.
 - * AS 2870: Residential slab footings - Construction.
 - * AS 3600: Concrete structures.
 - * AS 3678: Structural steel - Hot rolled plates, floorplates and slabs.
 - * AS 4680: Hot dip galvanized (Zinc) Coatings on fabricated ferrous articles.
 - * AS/NZS 4671: Steel reinforcing materials.
 - * AS/NZS 4600: Cold formed steel structures.



G & S Industries
 97 GUTHRIE STREET,
 OSBORNE PARK W.A. 6017
 PH : +6108 9446 8044
 EMAIL: sales@gsindustries.com.au
 WEB: www.gsindustries.com.au

PROPRIETARY AND CONFIDENTIAL
 THE INFORMATION CONTAINED IN THIS DRAWING IS THE SOLE PROPERTY OF G&S INDUSTRIES. ANY REPRODUCTION IN PART OR AS A WHOLE WITHOUT THE WRITTEN PERMISSION OF G&S INDUSTRIES IS PROHIBITED.

SCALE: AS SHOWN PRODUCT WEIGHT: 66.8kg.
 PRODUCT FINISH: HOT DIPPED GALVANIZED

CUSTOMER APPROVAL :
 CUSTOMER NAME / PROJECT :

	NAME	DATE	PART NUMBER :
DRAWN	N. A.	14.10.2022	S100B4
CHECKED	S. G.	14.10.2022	
APPROVED	R. G.	14.10.2022	
TITLE :			
4M 100 X 100MM SHS POLE			
COPYRIGHT			
THIS DOCUMENT IS PRODUCED BY G&S INDUSTRIES MUST NOT BE COPIED, TRACED, REPRODUCED, OR LENT WITHOUT WRITTEN CONSENT			
SIZE A4	DWG. NO. ZLRG2110		REV. 0

4

3

2

1