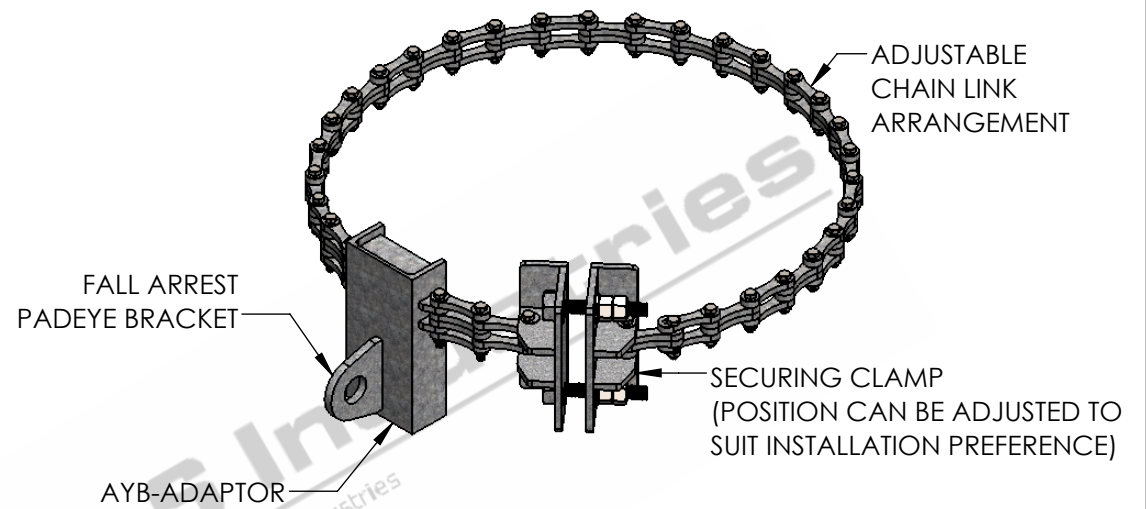
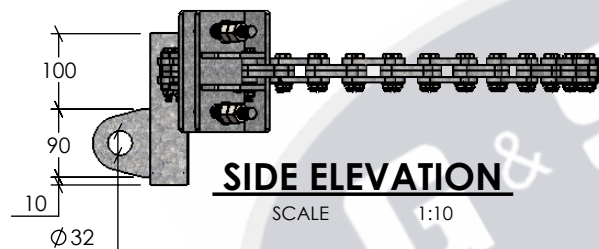


TOP VIEW
SCALE 1:10

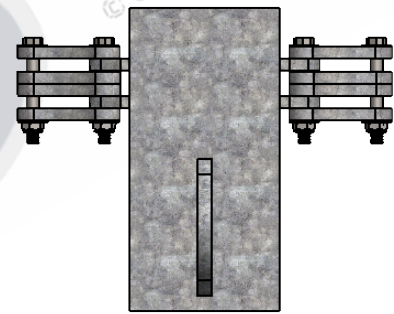


ISOMETRIC VIEW
SCALE 1:8

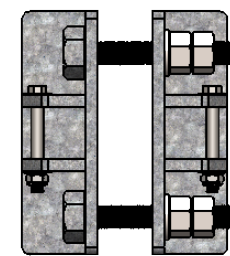


SIDE ELEVATION
SCALE 1:10

DIM	ESTIMATED DIAMETER
A	



PADEYE CHAIN ARRANGEMENT
SCALE 1:5



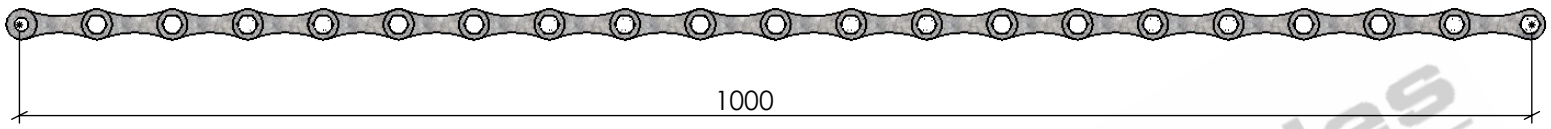
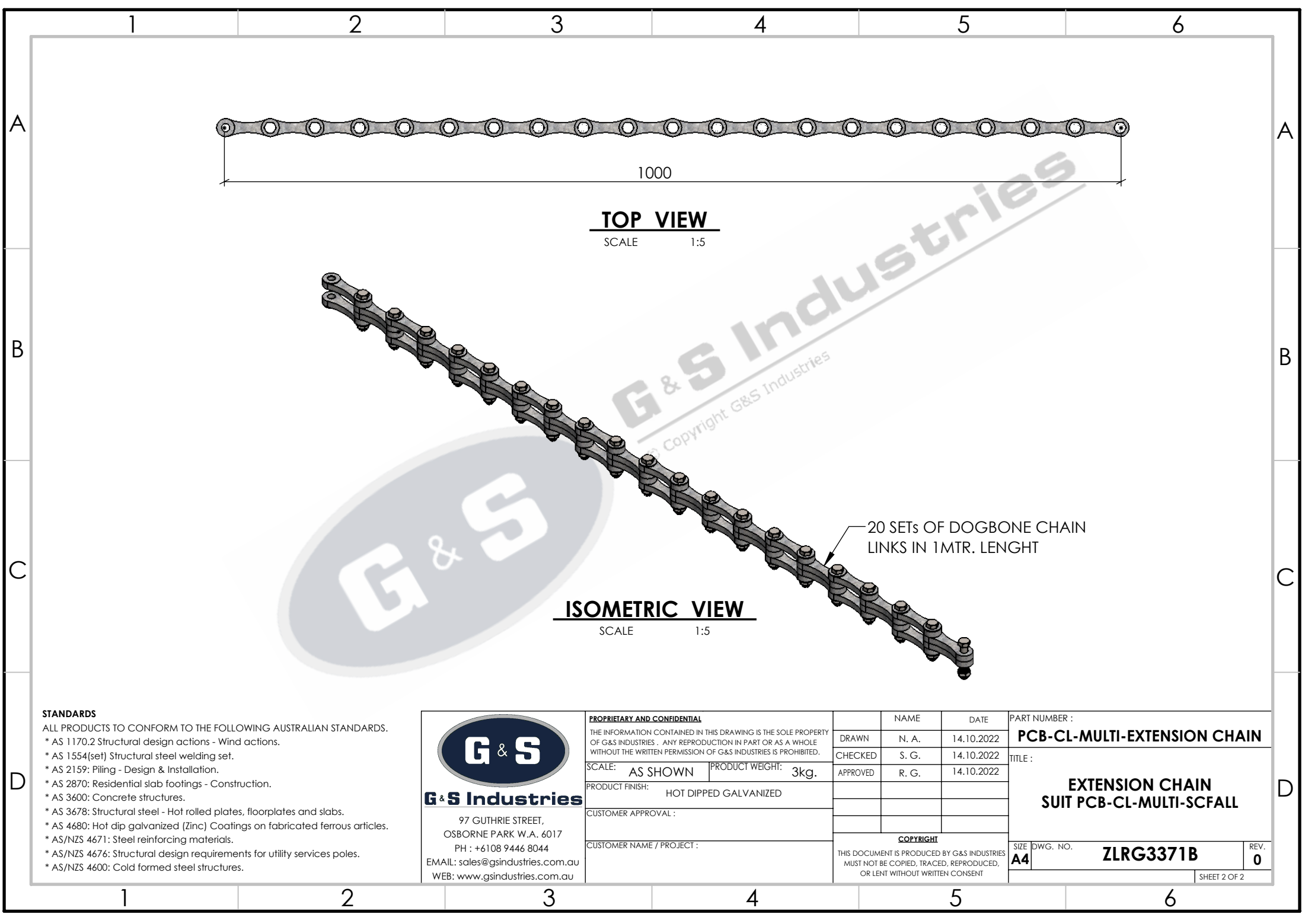
SECURING CLAMP DETAIL
SCALE 1:5
*2 X M16 X 100 BOLTS C/W 2 X FLAT WASHERS, 2 SPRING WASHER & 4 X NUTS

- STANDARDS**
ALL PRODUCTS TO CONFORM TO THE FOLLOWING AUSTRALIAN STANDARDS.
- * AS 1170.2 Structural design actions - Wind actions.
 - * AS 1554(set) Structural steel welding set.
 - * AS 2159: Piling - Design & Installation.
 - * AS 2870: Residential slab footings - Construction.
 - * AS 3600: Concrete structures.
 - * AS 3678: Structural steel - Hot rolled plates, floorplates and slabs.
 - * AS 4680: Hot dip galvanized (Zinc) Coatings on fabricated ferrous articles.
 - * AS/NZS 4671: Steel reinforcing materials.
 - * AS/NZS 4676: Structural design requirements for utility services poles.
 - * AS/NZS 4600: Cold formed steel structures.

G & S Industries
97 GUTHRIE STREET,
OSBORNE PARK W.A. 6017
PH : +6108 9446 8044
EMAIL: sales@gsindustries.com.au
WEB: www.gsindustries.com.au

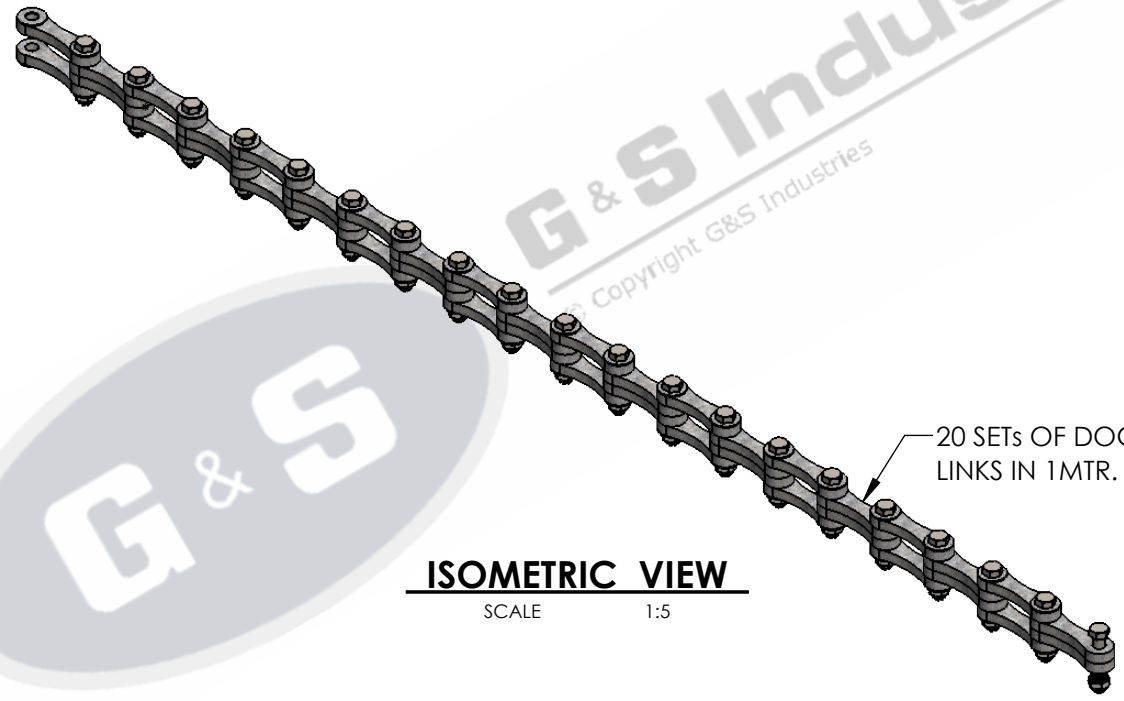
PROPRIETARY AND CONFIDENTIAL		NAME	DATE
THE INFORMATION CONTAINED IN THIS DRAWING IS THE SOLE PROPERTY OF G&S INDUSTRIES. ANY REPRODUCTION IN PART OR AS A WHOLE WITHOUT THE WRITTEN PERMISSION OF G&S INDUSTRIES IS PROHIBITED.		DRAWN	N. A. 14.10.2022
SCALE: AS SHOWN	PRODUCT WEIGHT: 11.4kg.	CHECKED	S. G. 14.10.2022
PRODUCT FINISH: HOT DIPPED GALVANIZED		APPROVED	R. G. 14.10.2022
CUSTOMER APPROVAL:			
CUSTOMER NAME / PROJECT:		COPYRIGHT	
		THIS DOCUMENT IS PRODUCED BY G&S INDUSTRIES MUST NOT BE COPIED, TRACED, REPRODUCED, OR LENT WITHOUT WRITTEN CONSENT	

PART NUMBER :	
PCB-CL-MULTI-SCFALL	
TITLE :	
ADJUSTABLE POLE CLAMP CLIMB BRACKET TO SUIT FALL ARREST PADEYE GENERAL ARRANGMENT	
SIZE DWG. NO.	REV.
A4 ZLRG33371A	0



TOP VIEW

SCALE 1:5



ISOMETRIC VIEW

SCALE 1:5

20 SETs OF DOGBONE CHAIN LINKS IN 1MTR. LENGHT

STANDARDS

- ALL PRODUCTS TO CONFORM TO THE FOLLOWING AUSTRALIAN STANDARDS.
- * AS 1170.2 Structural design actions - Wind actions.
 - * AS 1554(set) Structural steel welding set.
 - * AS 2159: Piling - Design & Installation.
 - * AS 2870: Residential slab footings - Construction.
 - * AS 3600: Concrete structures.
 - * AS 3678: Structural steel - Hot rolled plates, floorplates and slabs.
 - * AS 4680: Hot dip galvanized (Zinc) Coatings on fabricated ferrous articles.
 - * AS/NZS 4671: Steel reinforcing materials.
 - * AS/NZS 4676: Structural design requirements for utility services poles.
 - * AS/NZS 4600: Cold formed steel structures.



G & S Industries
 97 GUTHRIE STREET,
 OSBORNE PARK W.A. 6017
 PH : +6108 9446 8044
 EMAIL: sales@gsindustries.com.au
 WEB: www.gsindustries.com.au

PROPRIETARY AND CONFIDENTIAL
 THE INFORMATION CONTAINED IN THIS DRAWING IS THE SOLE PROPERTY OF G&S INDUSTRIES. ANY REPRODUCTION IN PART OR AS A WHOLE WITHOUT THE WRITTEN PERMISSION OF G&S INDUSTRIES IS PROHIBITED.

SCALE: AS SHOWN PRODUCT WEIGHT: 3kg.
 PRODUCT FINISH: HOT DIPPED GALVANIZED

CUSTOMER APPROVAL :
 CUSTOMER NAME / PROJECT :

	NAME	DATE
DRAWN	N. A.	14.10.2022
CHECKED	S. G.	14.10.2022
APPROVED	R. G.	14.10.2022
COPYRIGHT		
THIS DOCUMENT IS PRODUCED BY G&S INDUSTRIES MUST NOT BE COPIED, TRACED, REPRODUCED, OR LENT WITHOUT WRITTEN CONSENT		

PART NUMBER :		PCB-CL-MULTI-EXTENSION CHAIN	
TITLE :		EXTENSION CHAIN SUIT PCB-CL-MULTI-SCFALL	
SIZE	DWG. NO.	REV.	
A4	ZLRG3371B	0	
SHEET 2 OF 2			