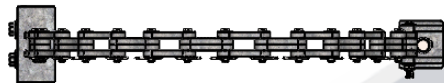


TOP VIEW

SCALE 1:10

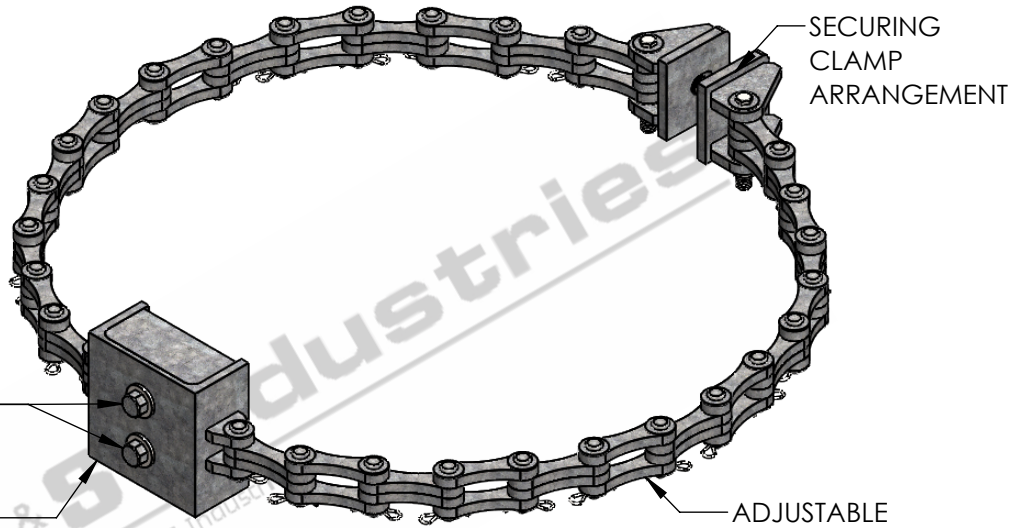


SIDE VIEW

SCALE 1:10

DIM	ESTIMATED DIAMETER
A	

2 X M16 NUTS
 AYB-ADAPTOR MOUNTING PLATE
 (HOLES TO SUIT CLIENT SPECIFICATION)



ISOMETRIC VIEW

SCALE 1:8

To mount ;	
SAFETY CLIMB RUBBER	X
SECURING CLEAT HOLDER	

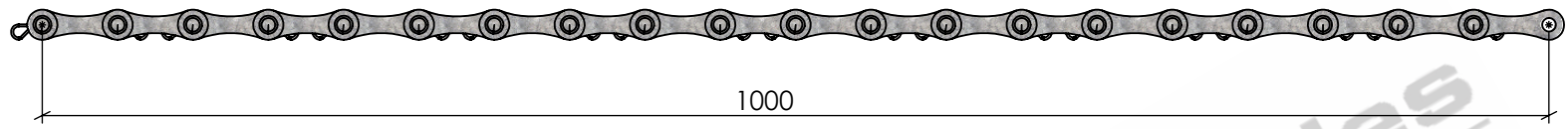
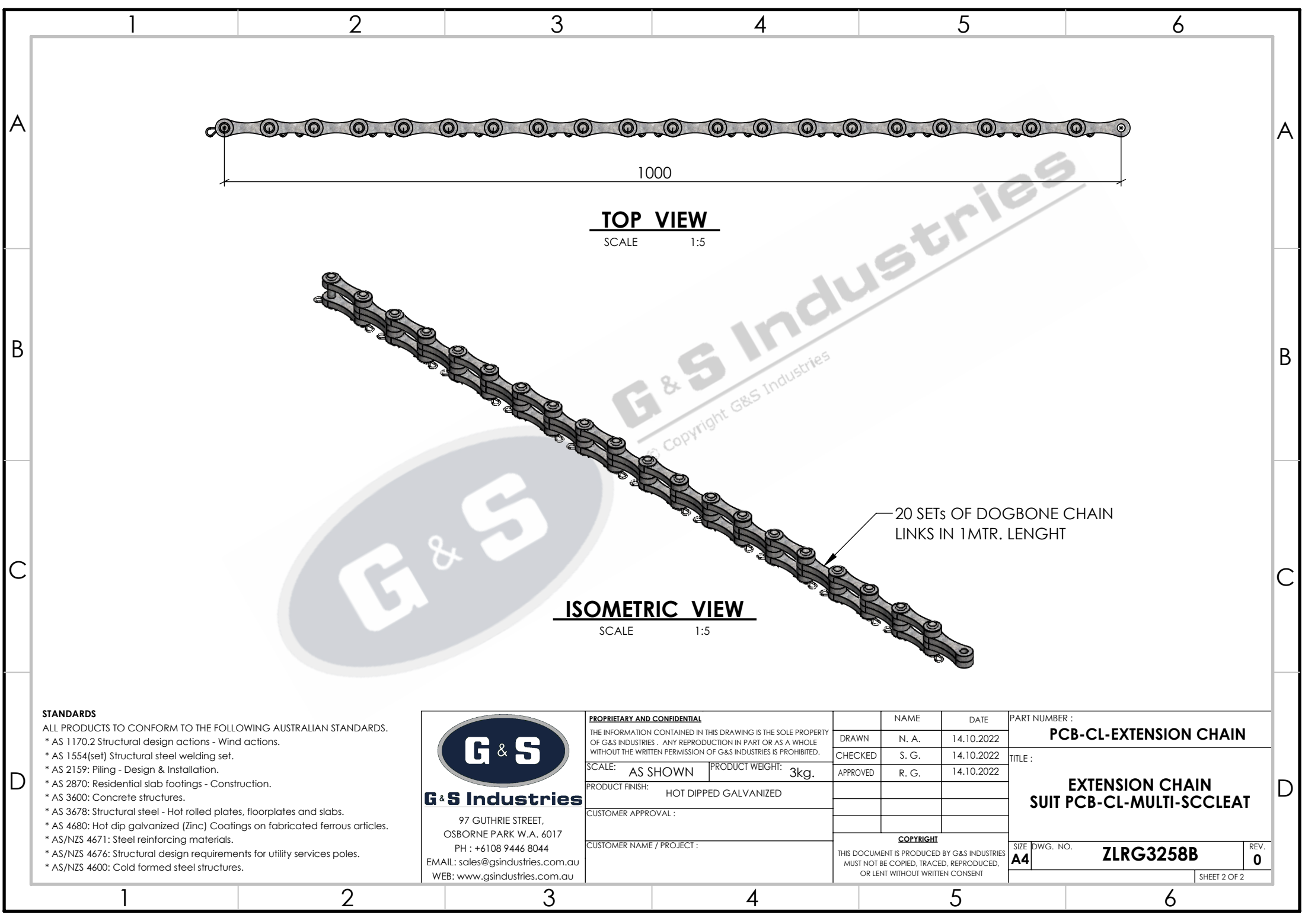
STANDARDS

- ALL PRODUCTS TO CONFORM TO THE FOLLOWING AUSTRALIAN STANDARDS.
- * AS 1170.2 Structural design actions - Wind actions.
 - * AS 1554(set) Structural steel welding set.
 - * AS 2159: Piling - Design & Installation.
 - * AS 2870: Residential slab footings - Construction.
 - * AS 3600: Concrete structures.
 - * AS 3678: Structural steel - Hot rolled plates, floorplates and slabs.
 - * AS 4680: Hot dip galvanized (Zinc) Coatings on fabricated ferrous articles.
 - * AS/NZS 4671: Steel reinforcing materials.
 - * AS/NZS 4676: Structural design requirements for utility services poles.
 - * AS/NZS 4600: Cold formed steel structures.

G & S Industries
 97 GUTHRIE STREET,
 OSBORNE PARK W.A. 6017
 PH : +6108 9446 8044
 EMAIL: sales@gsindustries.com.au
 WEB: www.gsindustries.com.au

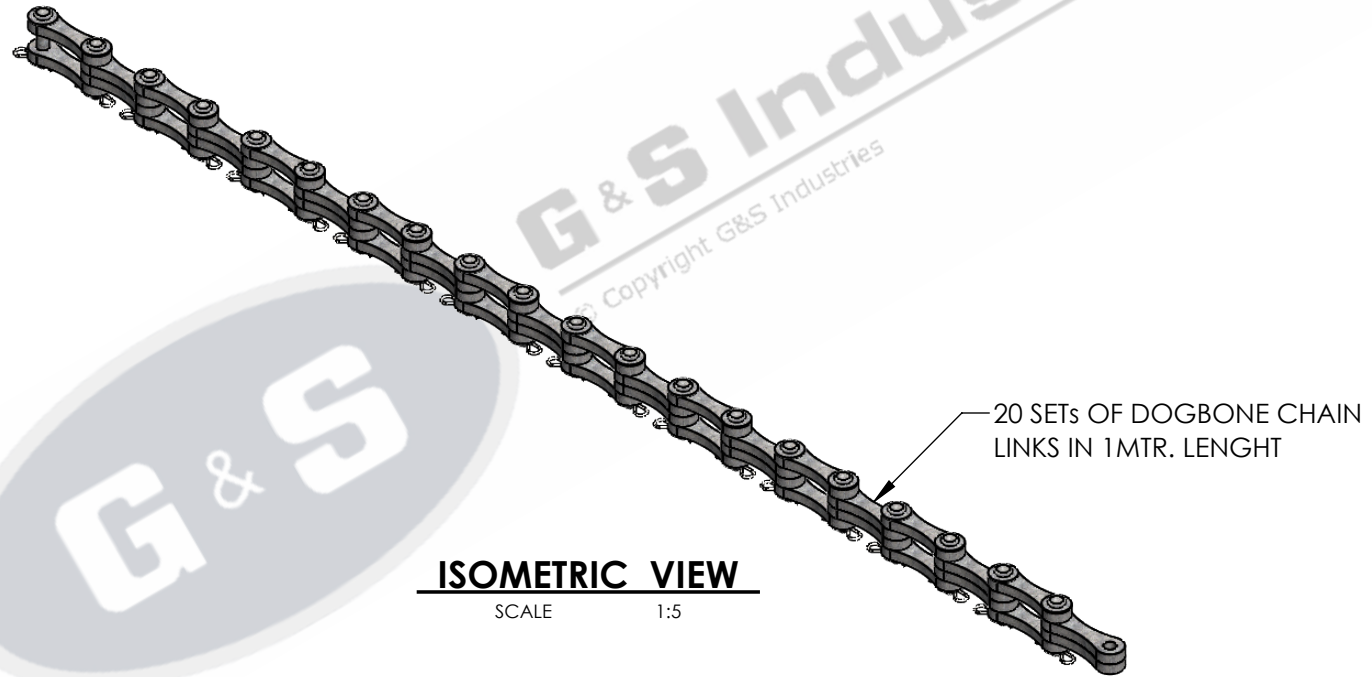
PROPRIETARY AND CONFIDENTIAL		NAME	DATE
THE INFORMATION CONTAINED IN THIS DRAWING IS THE SOLE PROPERTY OF G&S INDUSTRIES. ANY REPRODUCTION IN PART OR AS A WHOLE WITHOUT THE WRITTEN PERMISSION OF G&S INDUSTRIES IS PROHIBITED.		DRAWN	N. A. 14.10.2022
SCALE: AS SHOWN	PRODUCT WEIGHT: 9kg.	CHECKED	S. G. 14.10.2022
PRODUCT FINISH: HOT DIPPED GALVANIZED		APPROVED	R. G. 14.10.2022
CUSTOMER APPROVAL:			
CUSTOMER NAME / PROJECT:		COPYRIGHT	
		THIS DOCUMENT IS PRODUCED BY G&S INDUSTRIES MUST NOT BE COPIED, TRACED, REPRODUCED, OR LENT WITHOUT WRITTEN CONSENT	

PART NUMBER :		PCB-CL-MULTI-SCCLEAT
TITLE :		ADJUSTABLE POLE CLAMP CHAIN LINK BRACKET TO SUIT - SAFETY CLIMB SECURING CLEAT HOLDER
SIZE	DWG. NO.	REV.
A4	ZLRG3258A	0
SHEET 1 OF 2		



TOP VIEW

SCALE 1:5



ISOMETRIC VIEW

SCALE 1:5

20 SETS OF DOGBONE CHAIN LINKS IN 1MTR. LENGHT

STANDARDS

- ALL PRODUCTS TO CONFORM TO THE FOLLOWING AUSTRALIAN STANDARDS.
- * AS 1170.2 Structural design actions - Wind actions.
 - * AS 1554(set) Structural steel welding set.
 - * AS 2159: Piling - Design & Installation.
 - * AS 2870: Residential slab footings - Construction.
 - * AS 3600: Concrete structures.
 - * AS 3678: Structural steel - Hot rolled plates, floorplates and slabs.
 - * AS 4680: Hot dip galvanized (Zinc) Coatings on fabricated ferrous articles.
 - * AS/NZS 4671: Steel reinforcing materials.
 - * AS/NZS 4676: Structural design requirements for utility services poles.
 - * AS/NZS 4600: Cold formed steel structures.



G & S Industries

97 GUTHRIE STREET,
OSBORNE PARK W.A. 6017
PH : +6108 9446 8044
EMAIL: sales@gsindustries.com.au
WEB: www.gsindustries.com.au

PROPRIETARY AND CONFIDENTIAL		NAME	DATE	PART NUMBER :	
THE INFORMATION CONTAINED IN THIS DRAWING IS THE SOLE PROPERTY OF G&S INDUSTRIES . ANY REPRODUCTION IN PART OR AS A WHOLE WITHOUT THE WRITTEN PERMISSION OF G&S INDUSTRIES IS PROHIBITED.		DRAWN	N. A.	14.10.2022	PCB-CL-EXTENSION CHAIN
SCALE: AS SHOWN	PRODUCT WEIGHT: 3kg.	CHECKED	S. G.	14.10.2022	
PRODUCT FINISH: HOT DIPPED GALVANIZED		APPROVED	R. G.	14.10.2022	
CUSTOMER APPROVAL :					TITLE :
CUSTOMER NAME / PROJECT :		COPYRIGHT			
		THIS DOCUMENT IS PRODUCED BY G&S INDUSTRIES MUST NOT BE COPIED, TRACED, REPRODUCED, OR LENT WITHOUT WRITTEN CONSENT			SIZE DWG. NO. ZLRG3258B
					REV. 0
					SHEET 2 OF 2