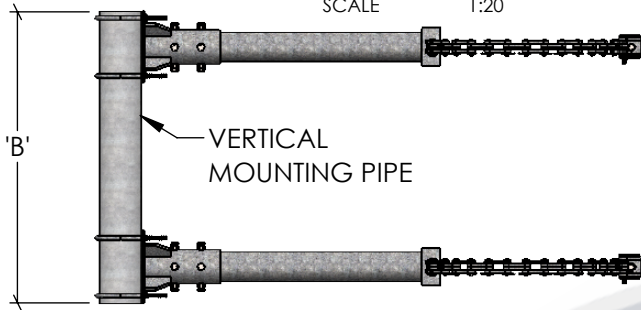


TOP VIEW

SCALE 1:20

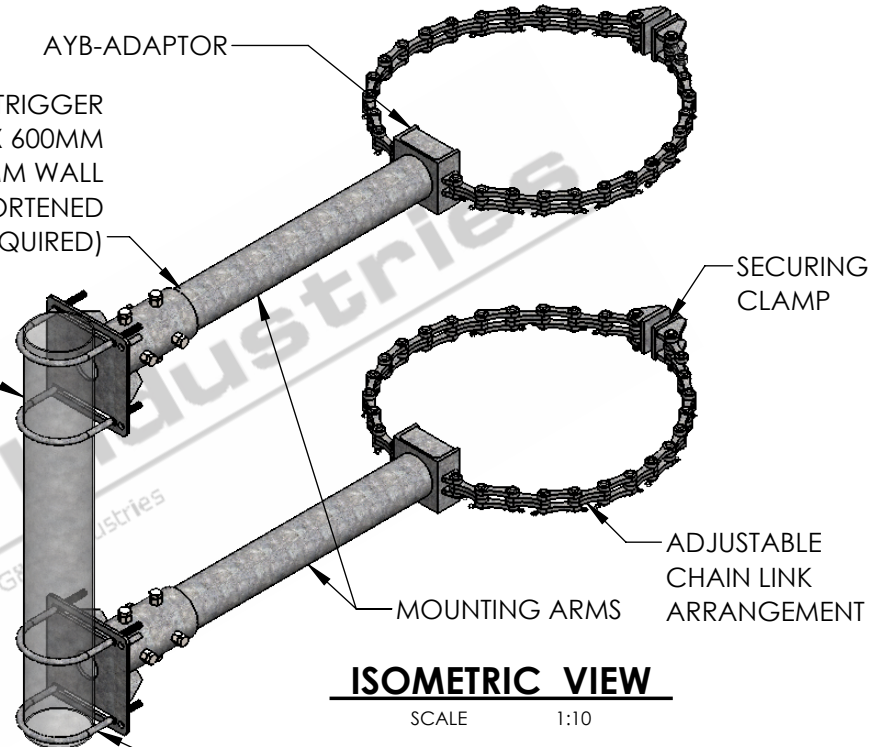


SIDE VIEW

SCALE 1:20

HORIZONTAL OUTRIGGER
STANDARD IS 76OD X 600MM
CHS PIPE 3.6MM WALL
(CAN BE SHORTENED
IF REQUIRED)

- *OPTIONAL
48.3
60.3
76.1
88.9
101.6
114.3



ISOMETRIC VIEW

SCALE 1:10

"U" BOLTS TO SUIT PIPE OD.
40NB SUIT 48.3OD PIPE
50NB SUIT 60.3OD PIPE
65NB SUIT 76.1OD PIPE
80NB SUIT 88.9OD PIPE
90NB SUIT 101.6OD PIPE
100NB SUIT 114.3OD PIPE

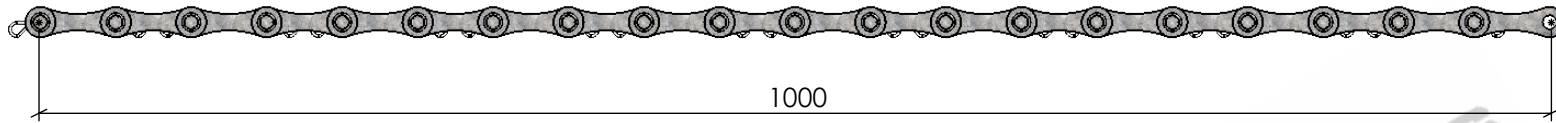
	A	B	C	D
	IF < 600MM	(DIA / LENGTH)	(IF KNOWN)	QTY. OF DOUBLE ARMS (IF MORE THAT 1)
DIMENSION		/		

STANDARDS

- ALL PRODUCTS TO CONFORM TO THE FOLLOWING AUSTRALIAN STANDARDS.
 * AS 1170.2 Structural design actions - Wind actions.
 * AS 1554(set) Structural steel welding set.
 * AS 2159: Piling - Design & Installation.
 * AS 2870: Residential slab footings - Construction.
 * AS 3600: Concrete structures.
 * AS 3678: Structural steel - Hot rolled plates, floorplates and slabs.
 * AS 4680: Hot dip galvanized (Zinc) Coatings on fabricated ferrous articles.
 * AS/NZS 4671: Steel reinforcing materials.
 * AS/NZS 4676: Structural design requirements for utility services poles.
 * AS/NZS 4600: Cold formed steel structures.

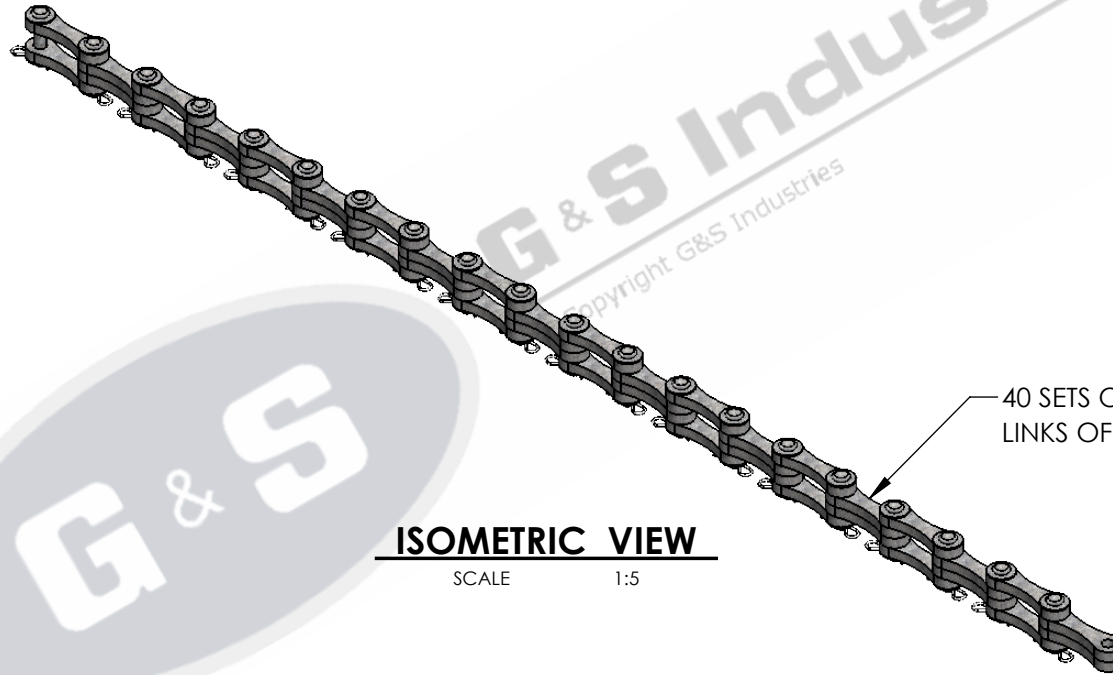
G & S Industries
 97 GUTHRIE STREET,
 OSBORNE PARK W.A. 6017
 PH : +6108 9446 8044
 EMAIL: sales@gsindustries.com.au
 WEB: www.gsindustries.com.au

PROPRIETARY AND CONFIDENTIAL		NAME	DATE	PART NUMBER :	
THE INFORMATION CONTAINED IN THIS DRAWING IS THE SOLE PROPERTY OF G&S INDUSTRIES. ANY REPRODUCTION IN PART OR AS A WHOLE WITHOUT THE WRITTEN PERMISSION OF G&S INDUSTRIES IS PROHIBITED.		DRAWN	N. A.	14.10.2022	PCB-CL-MULTI-ANT 2
SCALE: AS SHOWN	PRODUCT WEIGHT: 31kg.	CHECKED	S. G.	14.10.2022	
PRODUCT FINISH: HOT DIPPED GALVANIZED		APPROVED	R. G.	14.10.2022	
CUSTOMER APPROVAL :				TITLE :	
CUSTOMER NAME / PROJECT :				ADJUSTABLE CHAIN LINK DOUBLE POLE CLAMP BRACKET TO SUIT ANTENNA(S)	
		COPYRIGHT		SIZE DWG. NO.	REV.
		THIS DOCUMENT IS PRODUCED BY G&S INDUSTRIES MUST NOT BE COPIED, TRACED, REPRODUCED, OR LENT WITHOUT WRITTEN CONSENT		A4	ZLRG3339A
				SHEET 1 OF 2	



TOP VIEW

SCALE 1:5



ISOMETRIC VIEW

SCALE 1:5

40 SETS OF DOGBONE CHAIN LINKS OF 2 X 1MTR. LENGHT

STANDARDS

- ALL PRODUCTS TO CONFORM TO THE FOLLOWING AUSTRALIAN STANDARDS.
- * AS 1170.2 Structural design actions - Wind actions.
 - * AS 1554(set) Structural steel welding set.
 - * AS 2159: Piling - Design & Installation.
 - * AS 2870: Residential slab footings - Construction.
 - * AS 3600: Concrete structures.
 - * AS 3678: Structural steel - Hot rolled plates, floorplates and slabs.
 - * AS 4680: Hot dip galvanized (Zinc) Coatings on fabricated ferrous articles.
 - * AS/NZS 4671: Steel reinforcing materials.
 - * AS/NZS 4676: Structural design requirements for utility services poles.
 - * AS/NZS 4600: Cold formed steel structures.

G & S Industries
 97 GUTHRIE STREET,
 OSBORNE PARK W.A. 6017
 PH : +6108 9446 8044
 EMAIL: sales@gsindustries.com.au
 WEB: www.gsindustries.com.au

PROPRIETARY AND CONFIDENTIAL		NAME	DATE	PART NUMBER :	
THE INFORMATION CONTAINED IN THIS DRAWING IS THE SOLE PROPERTY OF G&S INDUSTRIES . ANY REPRODUCTION IN PART OR AS A WHOLE WITHOUT THE WRITTEN PERMISSION OF G&S INDUSTRIES IS PROHIBITED.		DRAWN	N. A.	14.10.2022	PCB-CL-EXTENSION CHAIN
SCALE: AS SHOWN	PRODUCT WEIGHT: 3kg.	CHECKED	S. G.	14.10.2022	
PRODUCT FINISH: HOT DIPPED GALVANIZED	CUSTOMER APPROVAL :	APPROVED	R. G.	14.10.2022	
CUSTOMER NAME / PROJECT :		COPYRIGHT			TITLE :
		THIS DOCUMENT IS PRODUCED BY G&S INDUSTRIES MUST NOT BE COPIED, TRACED, REPRODUCED, OR LENT WITHOUT WRITTEN CONSENT			2 X EXTENSION CHAIN TO SUIT PCB-CL-MULTI-ANT 2
		SIZE	DWG. NO.	REV.	
		A4	ZLRG3339B	0	
					SHEET 2 OF 2