

4

3

2

1

F

F

E

E

D

D

C

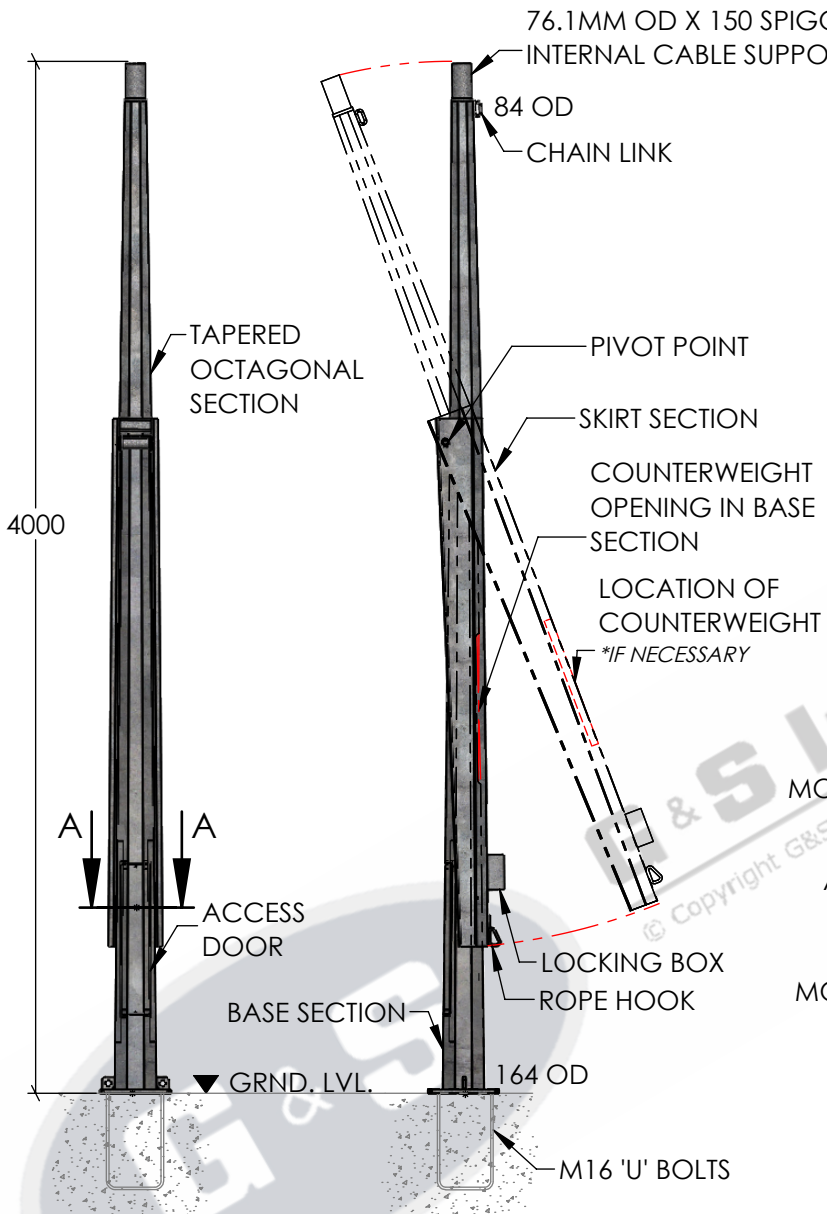
C

B

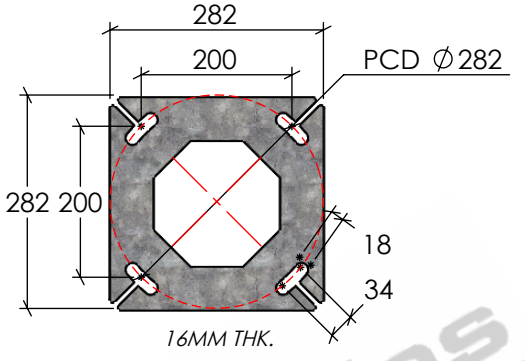
B

A

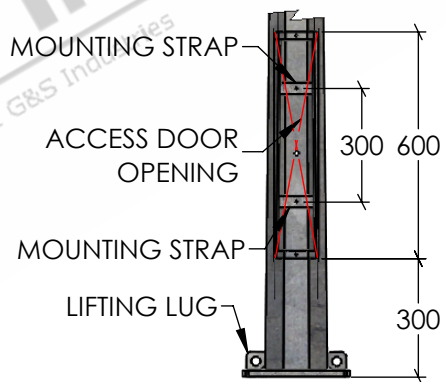
A



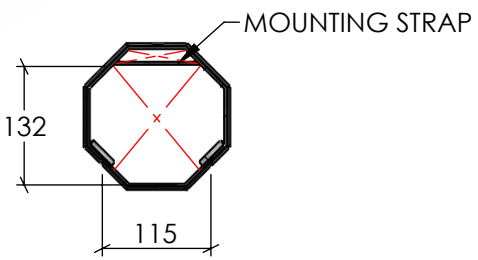
FRONT & SIDE ELEVATION
SCALE 1:30



BASEPLATE DETAILS
SCALE 1:10



**DOOR REMOVED FOR CLARITY*
ELEVATION ON DOOR
SCALE 1:10



SECTION A-A
ACCESS DOOR CLEARANCE DETAIL
SCALE 1:8

STANDARDS

- ALL PRODUCTS TO CONFORM TO THE FOLLOWING AUSTRALIAN STANDARDS.
- * AS 1170.2 Structural design actions - Wind actions.
 - * AS 1554(set) Structural steel welding set.
 - * AS 2159: Piling - Design & Installation.
 - * AS 2870: Residential slab footings - Construction.
 - * AS 3600: Concrete structures.
 - * AS 3678: Structural steel - Hot rolled plates, floorplates and slabs.
 - * AS 4680: Hot dip galvanized (Zinc) Coatings on fabricated ferrous articles.
 - * AS/NZS 4671: Steel reinforcing materials.
 - * AS/NZS 4600: Cold formed steel structures.

G & S Industries
97 GUTHRIE STREET,
OSBORNE PARK W.A. 6017
PH : +6108 9446 8044
EMAIL: sales@gsindustries.com.au
WEB: www.gsindustries.com.au

PROPRIETARY AND CONFIDENTIAL
THE INFORMATION CONTAINED IN THIS DRAWING IS THE SOLE PROPERTY OF G&S INDUSTRIES. ANY REPRODUCTION IN PART OR AS A WHOLE WITHOUT THE WRITTEN PERMISSION OF G&S INDUSTRIES IS PROHIBITED.

SCALE: AS SHOWN PRODUCT WEIGHT: 88kg.
PRODUCT FINISH: HOT DIPPED GALVANIZED

CUSTOMER APPROVAL :
CUSTOMER NAME / PROJECT :

| | NAME | DATE |
|---|-------|------------|
| DRAWN | N. A. | 14.10.2022 |
| CHECKED | S. G. | 14.10.2022 |
| APPROVED | R. G. | 14.10.2022 |
| COPYRIGHT | | |
| THIS DOCUMENT IS PRODUCED BY G&S INDUSTRIES MUST NOT BE COPIED, TRACED, REPRODUCED, OR LENT WITHOUT WRITTEN CONSENT | | |

| | | | |
|--|-----------------|--------------|--|
| PART NUMBER : | | MH4BM | |
| TITLE : | | | |
| 4M MEDIUM DUTY MID-HINGED BASE MOUNTED TAPERED OCTAGONAL POLE | | | |
| SIZE | DWG. NO. | REV. | |
| A4 | ZLRG2059 | 0 | |
| SHEET 1 OF 1 | | | |

4

3

2

1