

4

3

2

1

F

F

E

E

D

D

C

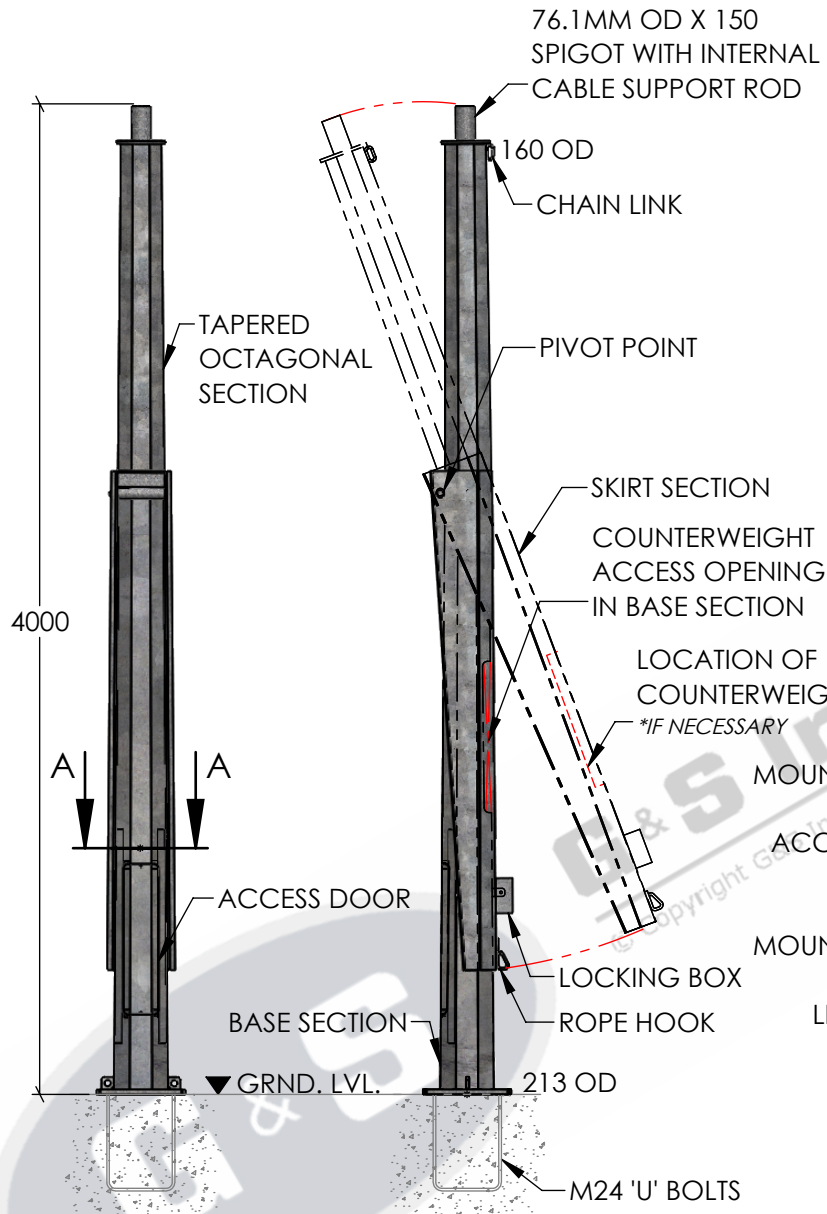
C

B

B

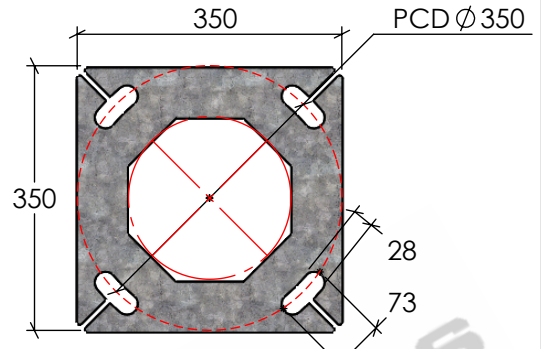
A

A



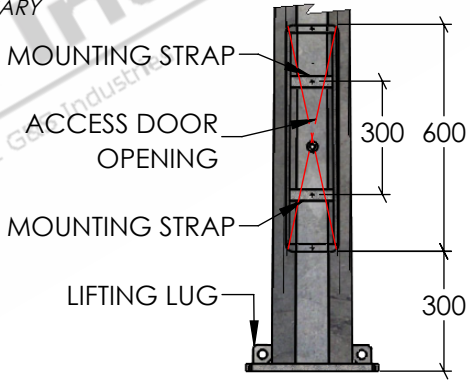
### FRONT & SIDE ELEVATION

SCALE 1:30



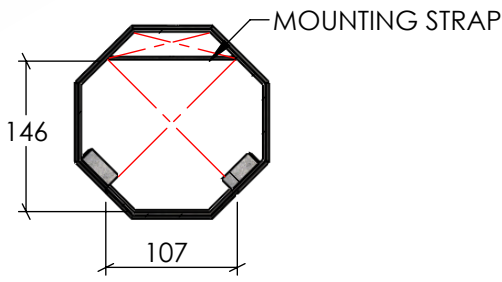
### BASEPLATE DETAILS

SCALE 1:10



### ELEVATION ON DOOR

SCALE 1:10



### SECTION A-A

### ACCESS DOOR CLEARANCE DETAIL

SCALE 1:8

#### STANDARDS

- ALL PRODUCTS TO CONFORM TO THE FOLLOWING AUSTRALIAN STANDARDS.
- \* AS 1170.2 Structural design actions - Wind actions.
- \* AS 1554(set) Structural steel welding set.
- \* AS 2159: Piling - Design & Installation.
- \* AS 2870: Residential slab footings - Construction.
- \* AS 3600: Concrete structures.
- \* AS 3678: Structural steel - Hot rolled plates, floorplates and slabs.
- \* AS 4680: Hot dip galvanized (Zinc) Coatings on fabricated ferrous articles.
- \* AS/NZS 4671: Steel reinforcing materials.
- \* AS/NZS 4600: Cold formed steel structures.

**G & S Industries**  
 97 GUTHRIE STREET,  
 OSBORNE PARK W.A. 6017  
 PH : +6108 9446 8044  
 EMAIL: sales@gsindustries.com.au  
 WEB: www.gsindustries.com.au

**PROPRIETARY AND CONFIDENTIAL**  
 THE INFORMATION CONTAINED IN THIS DRAWING IS THE SOLE PROPERTY OF G&S INDUSTRIES. ANY REPRODUCTION IN PART OR AS A WHOLE WITHOUT THE WRITTEN PERMISSION OF G&S INDUSTRIES IS PROHIBITED.

SCALE: AS SHOWN PRODUCT WEIGHT: 150kg.  
 PRODUCT FINISH: HOT DIPPED GALVANIZED

CUSTOMER APPROVAL:

CUSTOMER NAME / PROJECT:

	NAME	DATE
DRAWN	N. A.	14.10.2022
CHECKED	S. G.	14.10.2022
APPROVED	R. G.	14.10.2022
<b>COPYRIGHT</b>		
THIS DOCUMENT IS PRODUCED BY G&S INDUSTRIES MUST NOT BE COPIED, TRACED, REPRODUCED, OR LENT WITHOUT WRITTEN CONSENT		

PART NUMBER :		<b>MH4BH</b>	
TITLE :		<b>4M HEAVY DUTY MID-HINGED BASE MOUNTED TAPERED OCTAGONAL POLE</b>	
SIZE	DWG. NO.	REV.	
<b>A4</b>	<b>ZLRG2060</b>	<b>0</b>	
SHEET 1 OF 1			

4

3

2

1