

1

2

3

4

A

A

B

B

C

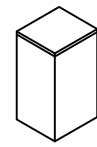
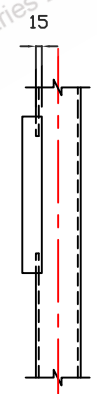
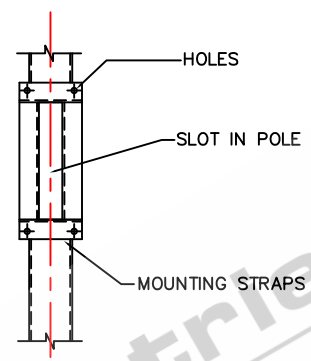
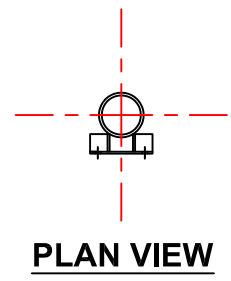
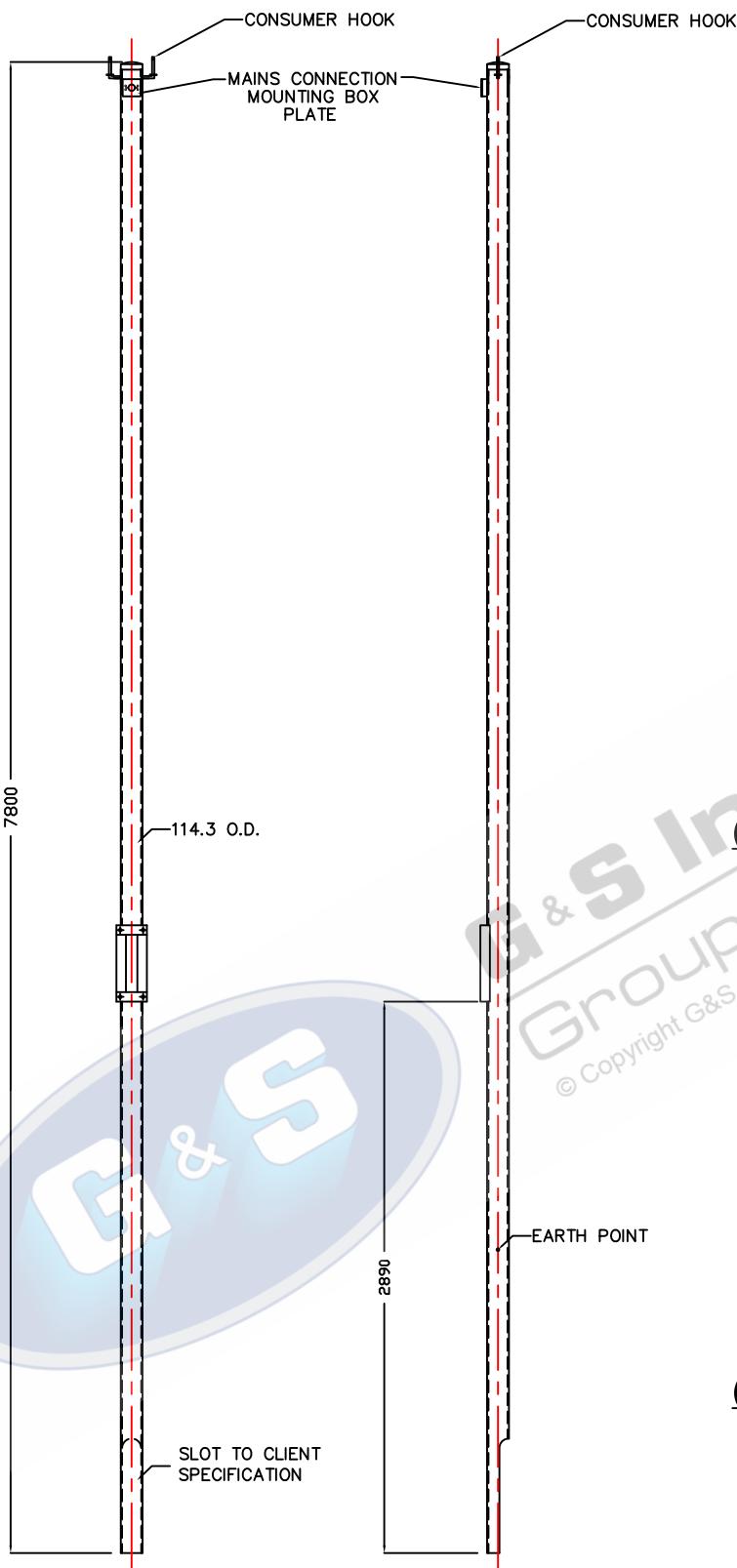
C

D

D

E

E



450 x 225 x 250mm
METER BOX

FRONT VIEW

RIGHT VIEW

- STANDARDS**
ALL PRODUCTS TO CONFORM TO THE FOLLOWING AUSTRALIAN STANDARDS
- * AS 1170.2: Structural design actions – Wind actions.
 - * AS 1302: Geometrical product specifications indication of surface texture in technical production documentation.
 - * AS 1554(set): Structural steel welding set.
 - * AS 2159: Filing – Design & Installation.
 - * AS 2870: Residential slab footings – Construction.
 - * AS 3800: Concrete structures.
 - * AS 3678: Structural steel – Hot rolled plates, floorplates and slabs.
 - * AS 4680: Hot dip galvanized (Zinc) Coatings on fabricated ferrous articles.
 - * AS/NZS 4671: Steel reinforcing materials.
 - * AS/NZS 4600: Cold formed steel structures.
 - * AS/NZS 4676: Structural design requirements for utility services poles.



97 GUTHRIE STREET, OSBORNE PARK W.A. 6017
PH (08) 9446 8044. (08) 9446 8266
FAX (08) 9446 5456

JOB NO.	DATE:	DESIGN:	Z.L.	DRAWN:	Z.L.
POWER CONNECTION COLUMN MC7.8BH114 600012		CHECKED:	R.G.	APPROVED:	Y
		LAST REVISED:	30 MAY '09	SCALE:	NTS
		DRAWING:	ZLRG2024	REVISION:	02

1

2

3

4