

1

2

3

4

A

A

B

B

C

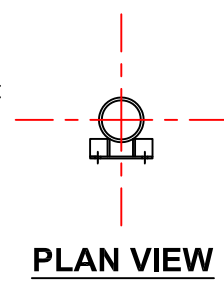
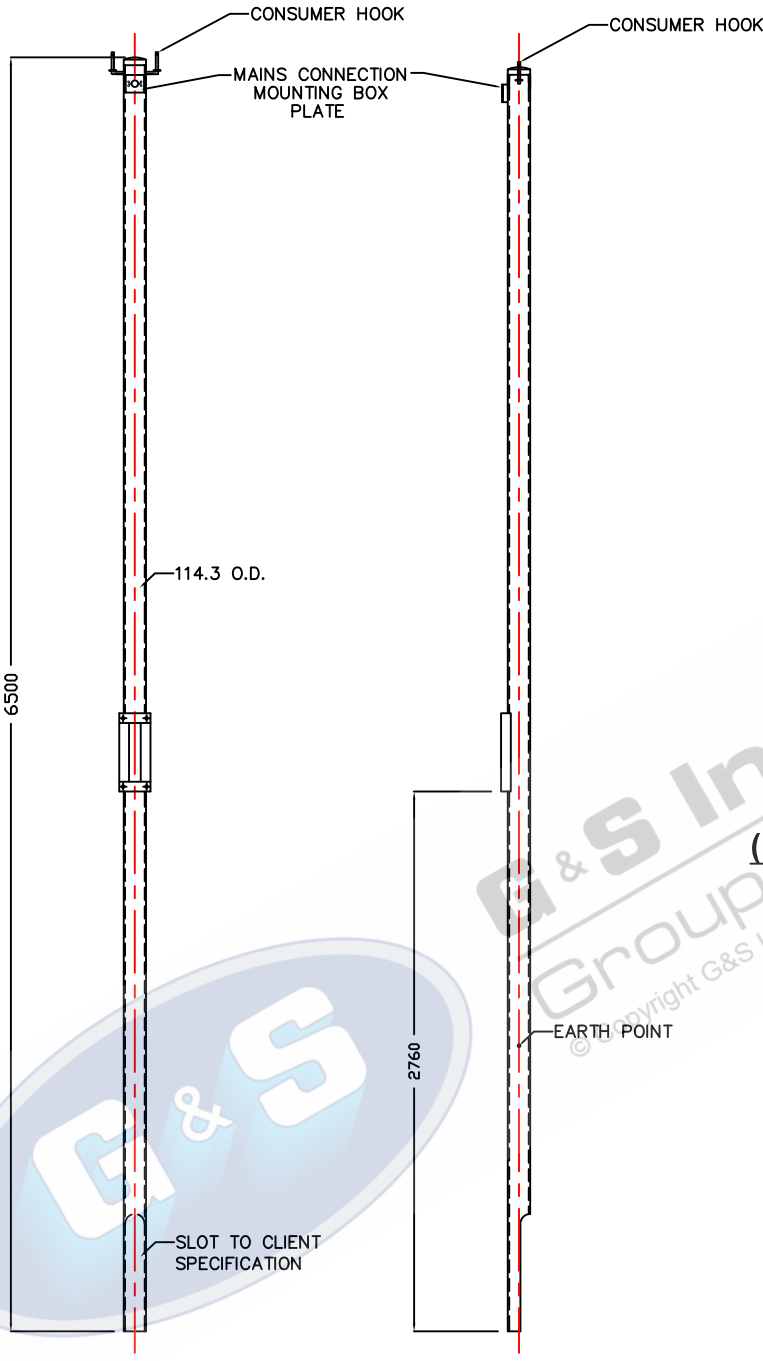
C

D

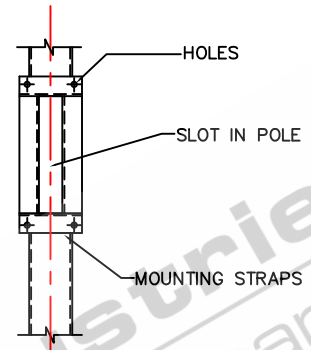
D

E

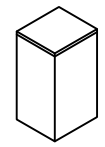
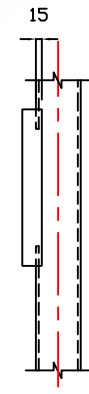
E



PLAN VIEW



**FRONT VIEW
(DETAIL) OF TOP**



450 x 225 x 250mm
METER BOX

FRONT VIEW

RIGHT VIEW

**RIGHT VIEW
(DETAIL) OF TOP**

- STANDARDS**
 ALL PRODUCTS TO CONFORM TO THE FOLLOWING AUSTRALIAN STANDARDS
 * AS 1170.2: Structural design actions – Wind actions.
 * AS 1302: Geometrical product specifications indication of surface texture in technical production documentation.
 * AS 1554(set): Structural steel welding set.
 * AS 2155: Filing – Design & Installation.
 * AS 2870: Residential slab footings – Construction.
 * AS 3800: Concrete structures.
 * AS 3678: Structural steel – Hot rolled plates, floorplates and slabs.
 * AS 4680: Hot dip galvanized (Zinc) Coatings on fabricated ferrous articles.
 * AS/NZS 4671: Steel reinforcing materials.
 * AS/NZS 4600: Cold formed steel structures.
 * AS/NZS 4676: Structural design requirements for utility services poles.



97 GUTHRIE STREET, OSBORNE PARK W.A. 6017
 PH (08) 9446 8044. (08) 9446 8266
 FAX (08) 9446 5456

JOB NO.	DATE:	DESIGN:	DRAWN:
POWER CONNECTION COLUMN MC6.5BH114 600010		Z.L.	Z.L.
		CHECKED:	APPROVED:
		R.G.	Y
		LAST REVISED:	SCALE:
		30 MAY '09	NTS
		DRAWING:	REVISION:
		ZLRG2022	02

1

2

3

4