

4

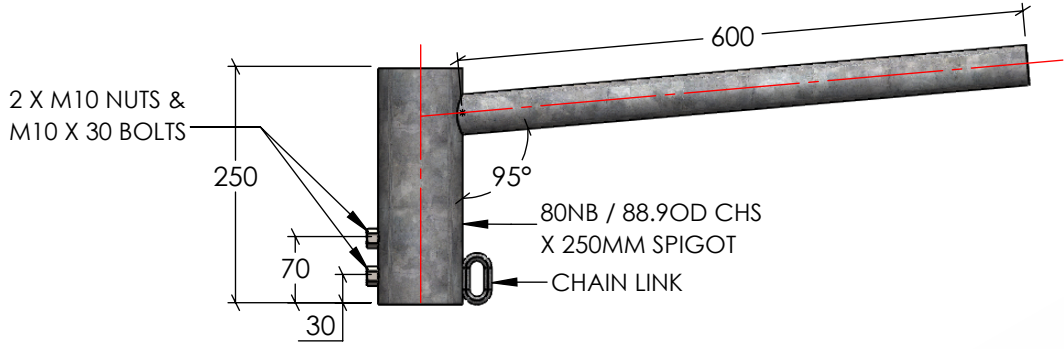
3

2

1

F

F

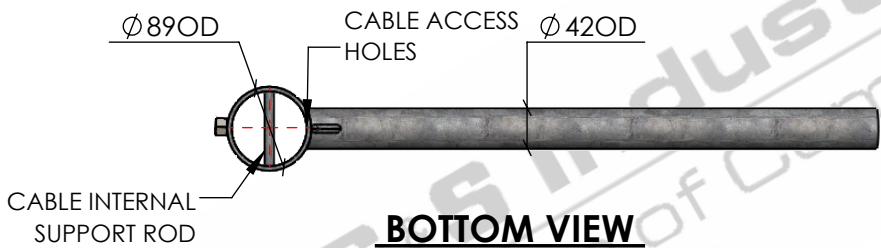


**FRONT VIEW**

SCALE 1:8

E

E

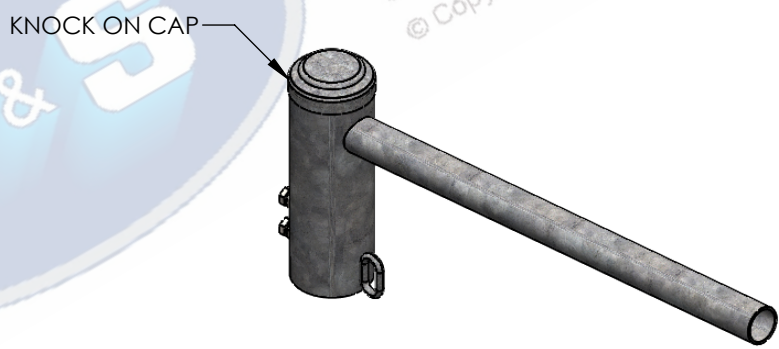


**BOTTOM VIEW**

SCALE 1:8

D

D



**ISOMETRIC VIEW**

SCALE 1:5

C

C

STANDARDS  
ALL PRODUCTS TO CONFORM TO THE FOLLOWING AUSTRALIAN STANDARDS

- \* AS 1554(set) Structural steel welding set.
- \* AS 2159: Piling - Design & Installation.
- \* AS 2870: Residential slab footings - Construction.
- \* AS 3600: Concrete structures.
- \* AS 3678: Structural steel - Hot rolled plates, floorplates and slabs.
- \* AS 4680: Hot dip galvanized (Zinc) Coatings on fabricated ferrous articles.
- \* AS/NZS 4671: Steel reinforcing materials.
- \* AS/NZS 4676: Structural design requirements for utility services poles.

B

B



**G&S Industries**  
Group of Companies  
97 GUTHRIE STREET,  
OSBORNE PARK W.A. 6017  
PH : +6108 9446 8044  
EMAIL: sales@gsindustries.com.au  
WEB: www.gsindustries.com.au

**PROPRIETARY AND CONFIDENTIAL**  
THE INFORMATION CONTAINED IN THIS DRAWING IS THE SOLE PROPERTY OF G&S INDUSTRIES. ANY REPRODUCTION IN PART OR AS A WHOLE WITHOUT THE WRITTEN PERMISSION OF G&S INDUSTRIES IS PROHIBITED.

SCALE: AS SHOWN

PRODUCT FINISH: H.D.G (HOT DIPPED GALVANIZED) PRODUCT WEIGHT: 3.6kg.

CUSTOMER APPROVAL:

CUSTOMER NAME / PROJECT:

	NAME	DATE
DRAWN	N.C. A.	04.06.2020
CHECKED	RG	04.06.2020
REVISED	N.C. A.	30.06.2020

**COPYRIGHT**  
THIS DOCUMENT IS PRODUCED BY G&S INDUSTRIES  
MUST NOT BE COPIED, TRACED, REPRODUCED,  
OR LENT WITHOUT WRITTEN CONSENT

PART NUMBER :	<b>HF/42/S/600</b>	
TITLE :	<b>42OD STREET LIGHTING SINGLE HEADFRAME WITH 600MM OUTREACH ARM</b>	
SIZE	DWG. NO.	REV.
<b>A4</b>	<b>ZLRG2195</b>	<b>0</b>

SHEET 1 OF 1

A

A

4

3

2

1