

4

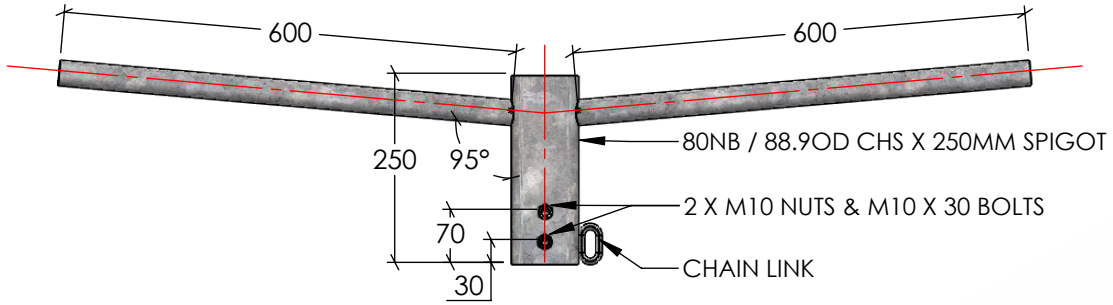
3

2

1

F

F

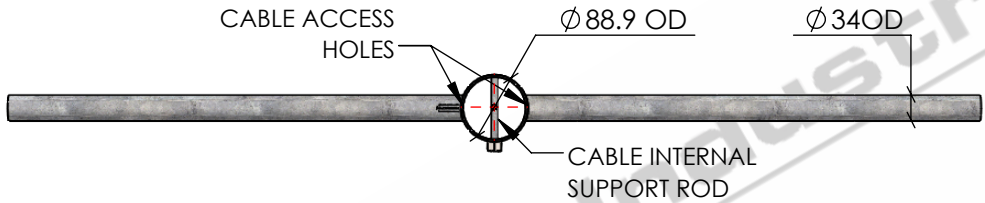


FRONT VIEW

SCALE 1:10

E

E



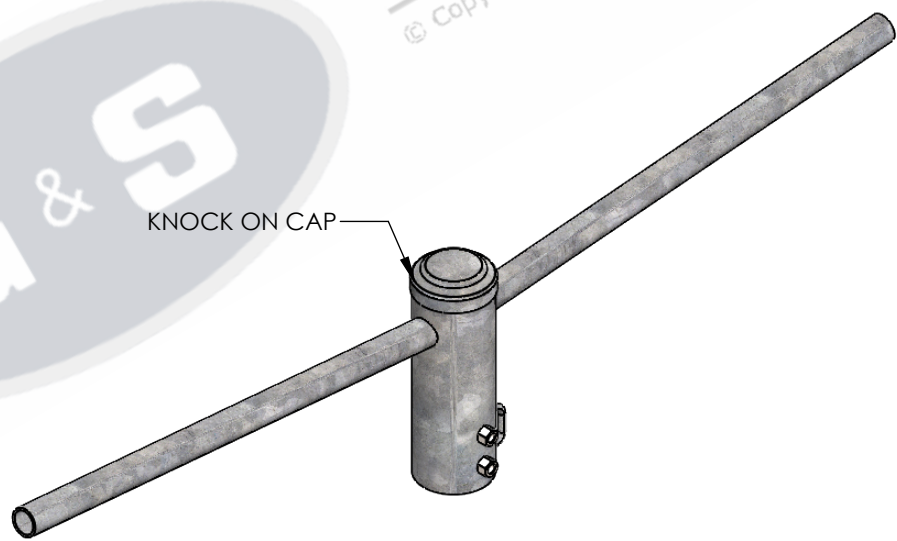
BOTTOM VIEW

SCALE 1:10

D

D

KNOCK ON CAP



ISOMETRIC VIEW


SCALE 1:8

B

B

STANDARDS

- ALL PRODUCTS TO CONFORM TO THE FOLLOWING AUSTRALIAN STANDARDS.
- * AS 1170.2 Structural design actions - Wind actions.
 - * AS 3678: Structural steel - Hot rolled plates, floorplates and slabs.
 - * AS 1554(set) Structural steel welding set.
 - * AS 4680: Hot dip galvanized (Zinc) Coatings on fabricated ferrous articles.
 - * AS 2159: Piling - Design & Installation.
 - * AS/NZS 4671: Steel reinforcing materials.
 - * AS 2870: Residential slab footings - Construction.
 - * AS/NZS 4600: Cold formed steel structures.
 - * AS 3600: Concrete structures.

 G & S Industries 97 GUTHRIE STREET, OSBORNE PARK W.A. 6017 PH : +6108 9446 8044 EMAIL: sales@gsindustries.com.au WEB: www.gsindustries.com.au	PROPRIETARY AND CONFIDENTIAL		NAME	DATE	PART NUMBER : HF/34/D/600		
	THE INFORMATION CONTAINED IN THIS DRAWING IS THE SOLE PROPERTY OF G&S INDUSTRIES . ANY REPRODUCTION IN PART OR AS A WHOLE WITHOUT THE WRITTEN PERMISSION OF G&S INDUSTRIES IS PROHIBITED.		DRAWN	N. A.		14.10.2022	
	SCALE: AS SHOWN	PRODUCT WEIGHT: 4.9kg.	CHECKED	S. G.	14.10.2022	TITLE : 34OD STREETLIGHTING DOUBLE HEADFRAME WITH 600MM OUTREACH ARMS	
	PRODUCT FINISH: HOT DIPPED GALVANIZED		APPROVED	R. G.	14.10.2022		
	CUSTOMER APPROVAL :						
CUSTOMER NAME / PROJECT :		COPYRIGHT			SIZE A4	DWG. NO. ZLRG2194	REV. 0
		THIS DOCUMENT IS PRODUCED BY G&S INDUSTRIES MUST NOT BE COPIED, TRACED, REPRODUCED, OR LENT WITHOUT WRITTEN CONSENT			SHEET 1 OF 1		

A

A

4

3

2

1