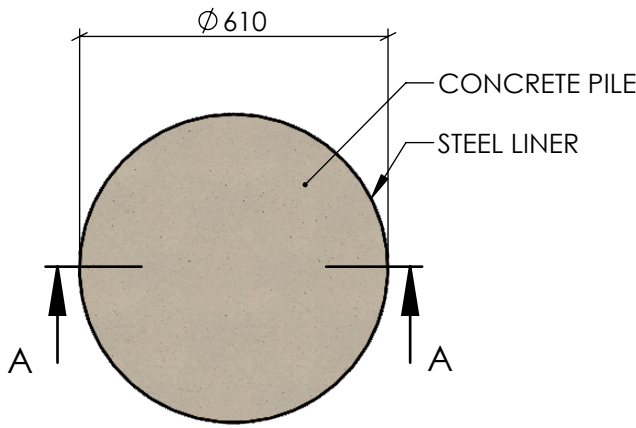


4 3 2 1

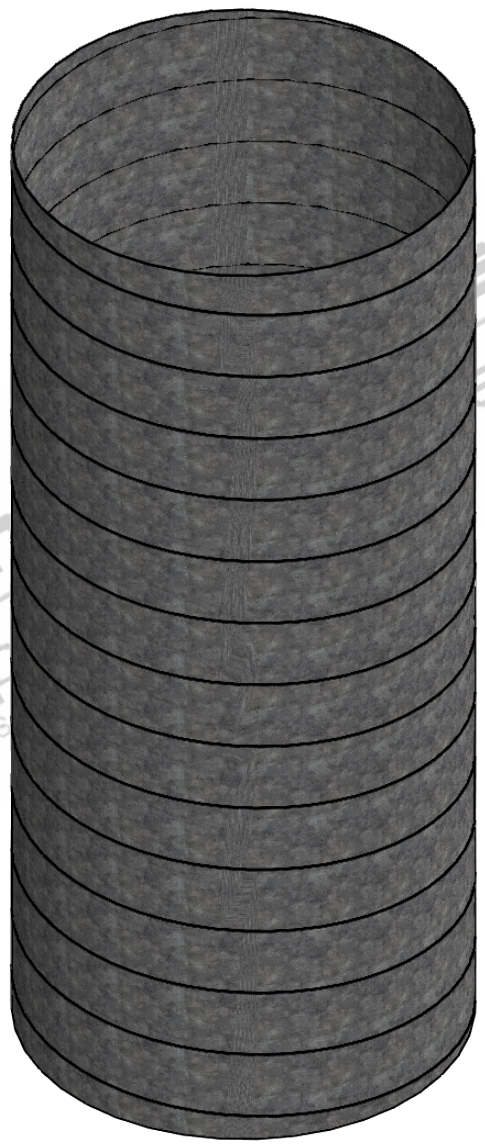
F

F



TOP ELEVATION

SCALE 1:10



ISOMETRIC ELEVATION

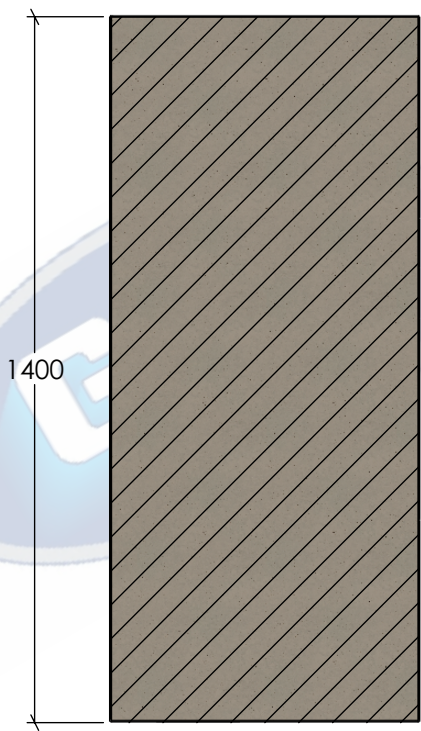
SCALE 1:10

E

E

D

D



SECTION A-A
SCALE 1 : 15

C

C

B


B

STANDARDS

- ALL PRODUCTS TO CONFORM TO THE FOLLOWING AUSTRALIAN STANDARDS
- * AS 1554(set) Structural steel welding set.
 - * AS 2159: Piling - Design & Installation.
 - * AS 2870: Residential slab footings - Construction.
 - * AS 3600: Concrete structures.
 - * AS 3678: Structural steel - Hot rolled plates, floorplates and slabs.
 - * AS 4680: Hot dip galvanized (Zinc) Coatings on fabricated ferrous articles.
 - * AS/NZS 4671: Steel reinforcing materials.
 - * AS/NZS 4676: Structural design requirements for utility services poles.

A

A

 <p>G&S Industries Group of Companies 97 GUTHRIE STREET, OSBORNE PARK W.A. 6017 PH : +6108 9446 8044 EMAIL: sales@gsindustries.com.au WEB: www.gsindustries.com.au</p>	<p>PROPRIETARY AND CONFIDENTIAL</p> <p>THE INFORMATION CONTAINED IN THIS DRAWING IS THE SOLE PROPERTY OF G&S INDUSTRIES. ANY REPRODUCTION IN PART OR AS A WHOLE WITHOUT THE WRITTEN PERMISSION OF G&S INDUSTRIES IS PROHIBITED.</p>		<p>NAME</p> <p>DATE</p>	<p>PART NUMBER :</p> <p>FL610-1400</p>
	<p>SCALE: AS SHOWN</p>	<p>DRAWN N.C. A. 16.11.2021</p>	<p>CHECKED RG 16.11.2021</p>	<p>TITLE :</p> <p>GALVANIZED STEEL FOUNDATION LINER 610 X 1400 0.8MM THICKNESS</p>
	<p>PRODUCT FINISH: H.D.G (HOT DIPPED GALVANIZED)</p> <p>PRODUCT WEIGHT: 19kg <i>*NOT INCLUDING THE CONCRETE PILE</i></p>	<p>REVISED N.C. A. 16.11.2021</p>	<p>CUSTOMER APPROVAL :</p>	<p>SIZE DWG. NO. ZLRG3293</p>
	<p>CUSTOMER NAME / PROJECT :</p>	<p>COPYRIGHT</p> <p>THIS DOCUMENT IS PRODUCED BY G&S INDUSTRIES MUST NOT BE COPIED, TRACED, REPRODUCED, OR LENT WITHOUT WRITTEN CONSENT</p>		<p>REV. 0</p>

4 3 2 1