

4

3

2

1

F

F

E

E

D

D

C

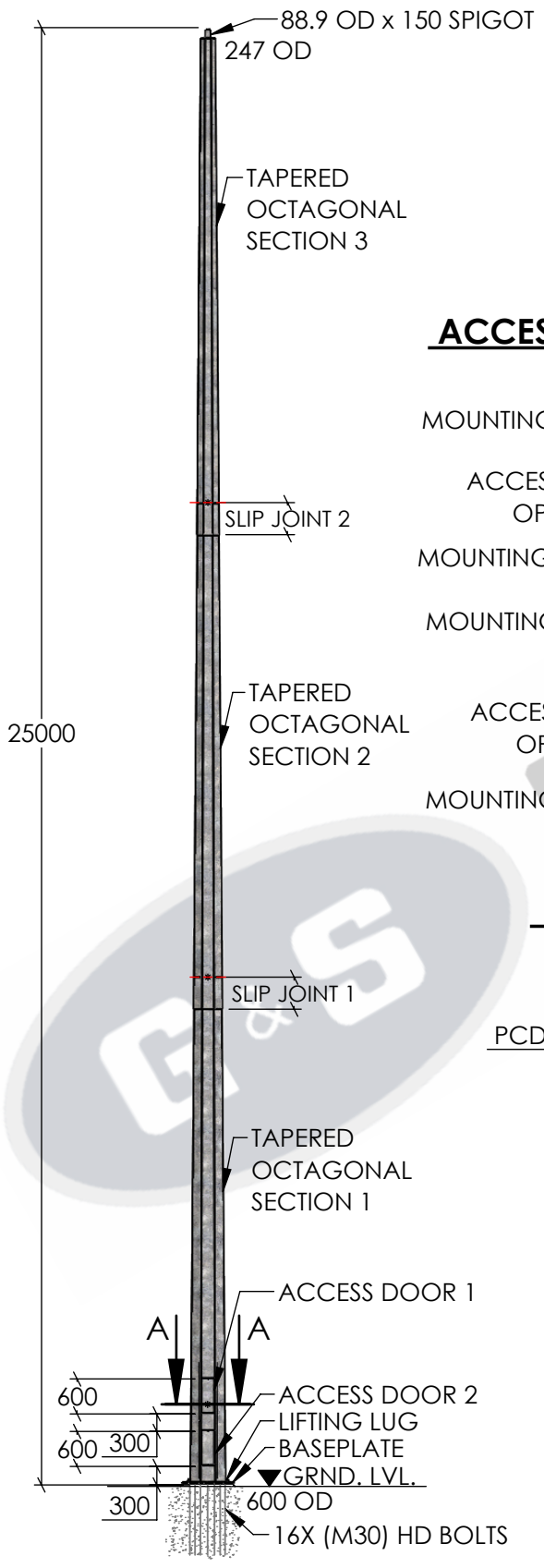
C

B

B

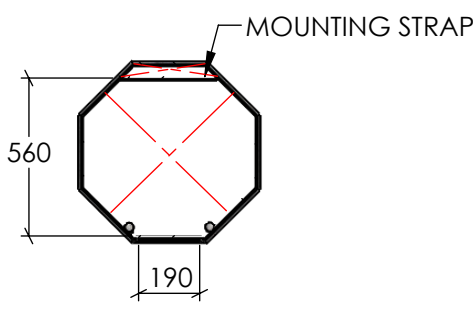
A

A



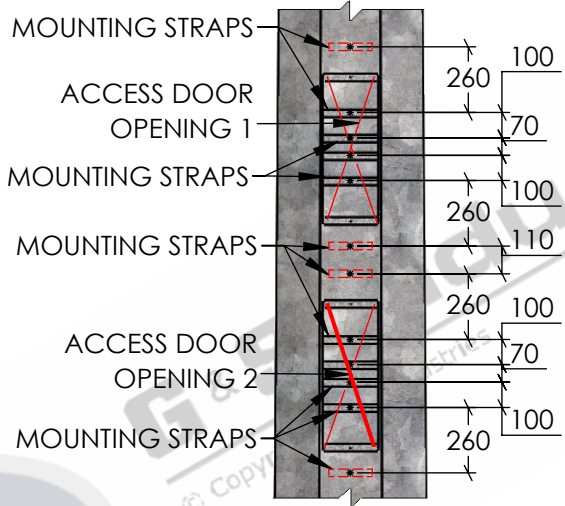
FRONT ELEVATION

SCALE 1:120



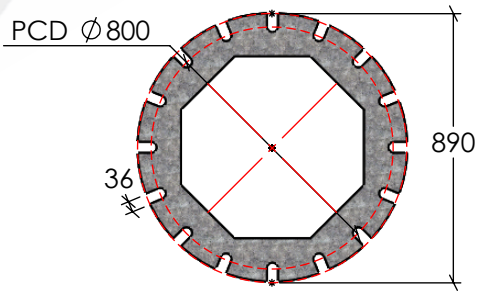
SECTION A-A ACCESS DOOR CLEARANCE DETAIL

SCALE 1:25



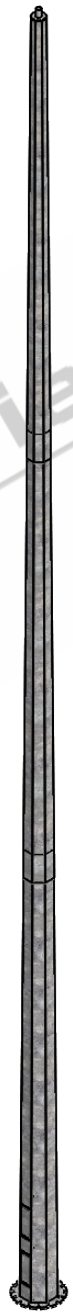
ELEVATION ON DOOR

SCALE 1:40



BASEPLATE DETAILS

SCALE 1:25



ISOMETRIC VIEW

SCALE 1:120

STANDARDS

- ALL PRODUCTS TO CONFORM TO THE FOLLOWING AUSTRALIAN STANDARDS.
- * AS 1170.2 Structural design actions - Wind actions.
 - * AS 1554 (set) Structural steel welding set.
 - * AS 2159: Piling - Design & Installation.
 - * AS 2870: Residential slab footings - Construction.
 - * AS 3600: Concrete structures.
 - * AS 3678: Structural steel - Hot rolled plates, floorplates and slabs.
 - * AS 4680: Hot dip galvanized (Zinc) Coatings on fabricated ferrous articles.
 - * AS/NZS 4671: Steel reinforcing materials.
 - * AS/NZS 4600: Cold formed steel structures.

G & S Industries
 97 GUTHRIE STREET,
 OSBORNE PARK W.A. 6017
 PH : +6108 9446 8044
 EMAIL: sales@gsindustries.com.au
 WEB: www.gsindustries.com.au

PROPRIETARY AND CONFIDENTIAL	
THE INFORMATION CONTAINED IN THIS DRAWING IS THE SOLE PROPERTY OF G&S INDUSTRIES. ANY REPRODUCTION IN PART OR AS A WHOLE WITHOUT THE WRITTEN PERMISSION OF G&S INDUSTRIES IS PROHIBITED.	
SCALE: AS SHOWN	PRODUCT WEIGHT: 1636kg.
PRODUCT FINISH: HOT DIPPED GALVANIZED	
CUSTOMER APPROVAL:	
CUSTOMER NAME / PROJECT:	

NAME	DATE
DRAWN N. A.	14.10.2022
CHECKED S. G.	14.10.2022
APPROVED R. G.	14.10.2022

PART NUMBER:	F25BHH
TITLE:	25M HEAVY DUTY FIXED BASE MOUNTED TAPERED OCTAGONAL POLE
SIZE	DWG. NO.
A4	ZLRG2057B
REV.	0

COPYRIGHT
 THIS DOCUMENT IS PRODUCED BY G&S INDUSTRIES
 MUST NOT BE COPIED, TRACED, REPRODUCED,
 OR LENT WITHOUT WRITTEN CONSENT

4

3

2

1