

4

3

2

1

F

F

E

E

D

D

C

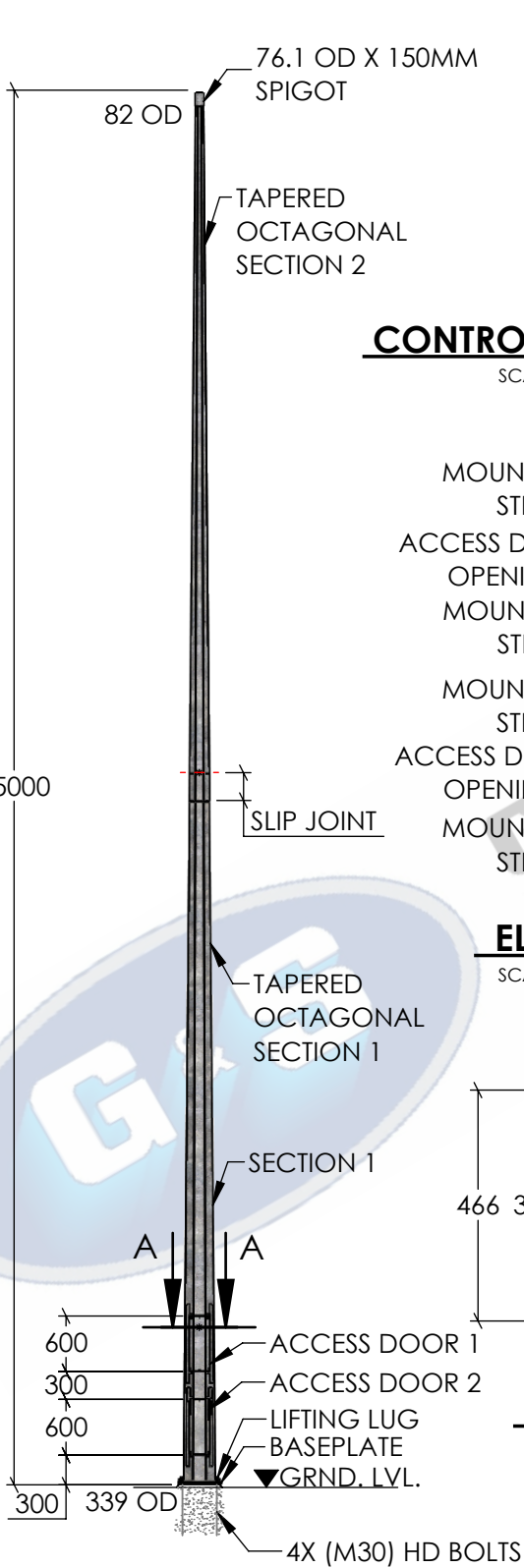
C

B

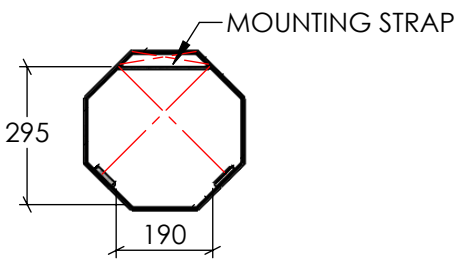
B

A

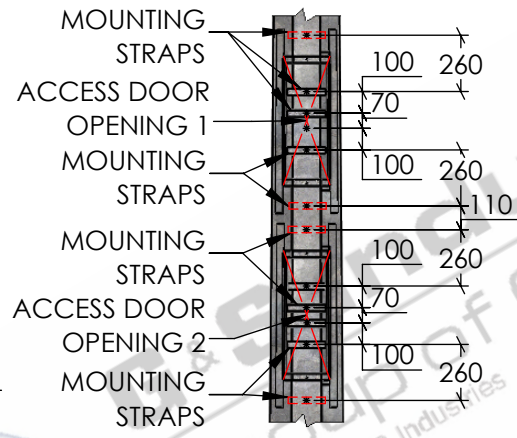
A



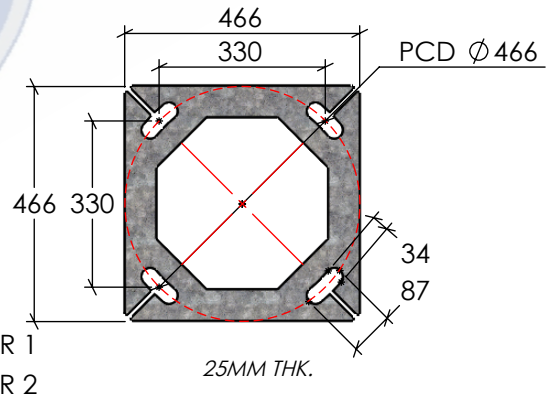
**FRONT ELEVATION**  
SCALE 1:80



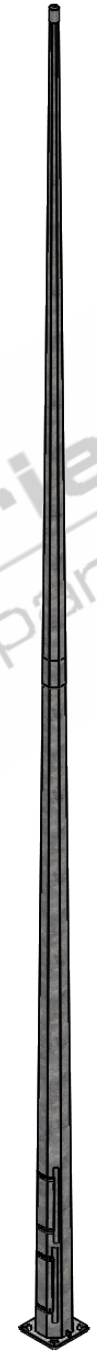
**SECTION A-A**  
**CONTROL GEAR CLEARANCE DETAIL**  
SCALE 1:15



**ELEVATION ON DOOR**  
SCALE 1:35



**BASEPLATE DETAILS**  
SCALE 1:15



**ISOMETRIC VIEW**  
SCALE 1:70

- STANDARDS  
ALL PRODUCTS TO CONFORM TO THE FOLLOWING AUSTRALIAN STANDARDS
- \* AS 1554(set) Structural steel welding set.
  - \* AS 2159: Piling - Design & Installation.
  - \* AS 2870: Residential slab footings - Construction.
  - \* AS 3600: Concrete structures.
  - \* AS 3678: Structural steel - Hot rolled plates, floorplates and slabs.
  - \* AS 4680: Hot dip galvanized (Zinc) Coatings on fabricated ferrous articles.
  - \* AS/NZS 4671: Steel reinforcing materials.
  - \* AS/NZS 4676: Structural design requirements for utility services poles.



**G&S Industries**  
Group of Companies  
97 GUTHRIE STREET,  
OSBORNE PARK W.A. 6017  
PH : +6108 9446 8044  
EMAIL: sales@gsindustries.com.au  
WEB: www.gsindustries.com.au

**PROPRIETARY AND CONFIDENTIAL**  
THE INFORMATION CONTAINED IN THIS DRAWING IS THE SOLE PROPERTY OF G&S INDUSTRIES. ANY REPRODUCTION IN PART OR AS A WHOLE WITHOUT THE WRITTEN PERMISSION OF G&S INDUSTRIES IS PROHIBITED.

SCALE: AS SHOWN

PRODUCT FINISH: H.D.G (HOT DIPPED GALVANIZED) PRODUCT WEIGHT: 292kg.

CUSTOMER APPROVAL:

CUSTOMER NAME / PROJECT:

	NAME	DATE
DRAWN	N.C. A.	04.06.2020
CHECKED	RG	04.06.2020
REVISED	N.C. A.	30.06.2020

**COPYRIGHT**  
THIS DOCUMENT IS PRODUCED BY G&S INDUSTRIES  
MUST NOT BE COPIED, TRACED, REPRODUCED,  
OR LENT WITHOUT WRITTEN CONSENT

PART NUMBER :	<b>F15BM</b>
TITLE :	<b>15M MEDIUM DUTY FIXED BASE MOUNTED TAPERED OCTAGONAL POLE</b>
SIZE	DWG. NO.
<b>A4</b>	<b>ZLRG2050CA</b>
	REV. <b>0</b>

SHEET 1 OF 1

4

3

2

1