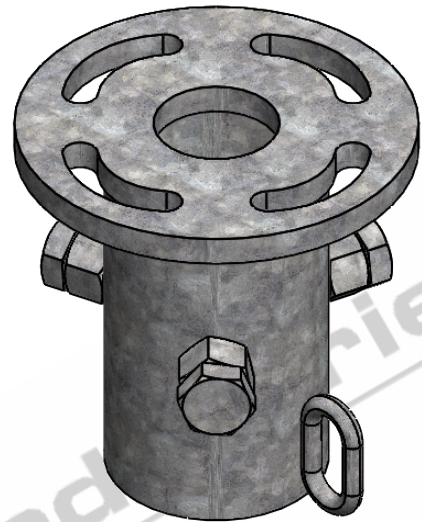


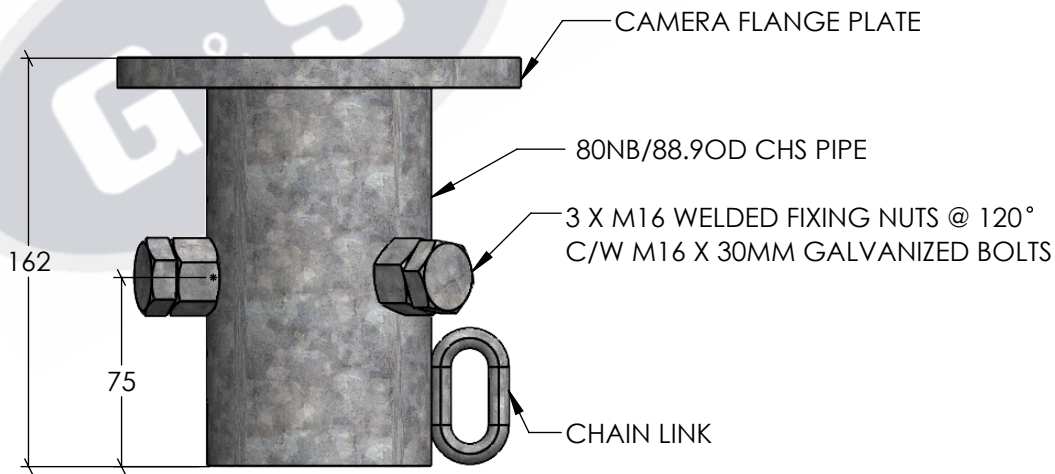
**TOP ELEVATION**

SCALE 1:3



**ISOMETRIC ELEVATION**

SCALE 1:3



**FRONT ELEVATION**

SCALE 1:3

**STANDARDS**

ALL PRODUCTS TO CONFORM TO THE FOLLOWING AUSTRALIAN STANDARDS.

- \* AS 1170.2 Structural design actions - Wind actions.
- \* AS 1554(set) Structural steel welding set.
- \* AS 2159: Piling - Design & Installation.
- \* AS 2870: Residential slab footings - Construction.
- \* AS 3600: Concrete structures.
- \* AS 3678: Structural steel - Hot rolled plates, floorplates and slabs.
- \* AS 4680: Hot dip galvanized (Zinc) Coatings on fabricated ferrous articles.
- \* AS/NZS 4671: Steel reinforcing materials.
- \* AS/NZS 4600: Cold formed steel structures.



**G & S Industries**

97 GUTHRIE STREET,  
OSBORNE PARK W.A. 6017  
PH : +6108 9446 8044  
EMAIL: sales@gsindustries.com.au  
WEB: www.gsindustries.com.au

<b>PROPRIETARY AND CONFIDENTIAL</b>	
THE INFORMATION CONTAINED IN THIS DRAWING IS THE SOLE PROPERTY OF G&S INDUSTRIES . ANY REPRODUCTION IN PART OR AS A WHOLE WITHOUT THE WRITTEN PERMISSION OF G&S INDUSTRIES IS PROHIBITED.	
SCALE: AS SHOWN	PRODUCT WEIGHT: 2.9kg.
PRODUCT FINISH: HOT DIPPED GALVANIZED	
CUSTOMER APPROVAL :	
CUSTOMER NAME / PROJECT :	

	NAME	DATE
DRAWN	N. A.	14.10.2022
CHECKED	S. G.	14.10.2022
APPROVED	R. G.	14.10.2022
<b>COPYRIGHT</b>		
THIS DOCUMENT IS PRODUCED BY G&S INDUSTRIES MUST NOT BE COPIED, TRACED, REPRODUCED, OR LENT WITHOUT WRITTEN CONSENT		

PART NUMBER :		<b>CM05</b>
TITLE :		
<b>CAMERA MOUNT FLANGE</b>		
SIZE	DWG. NO.	REV.
<b>A4</b>	<b>ZLRG2154</b>	<b>0</b>
SHEET 1 OF 1		