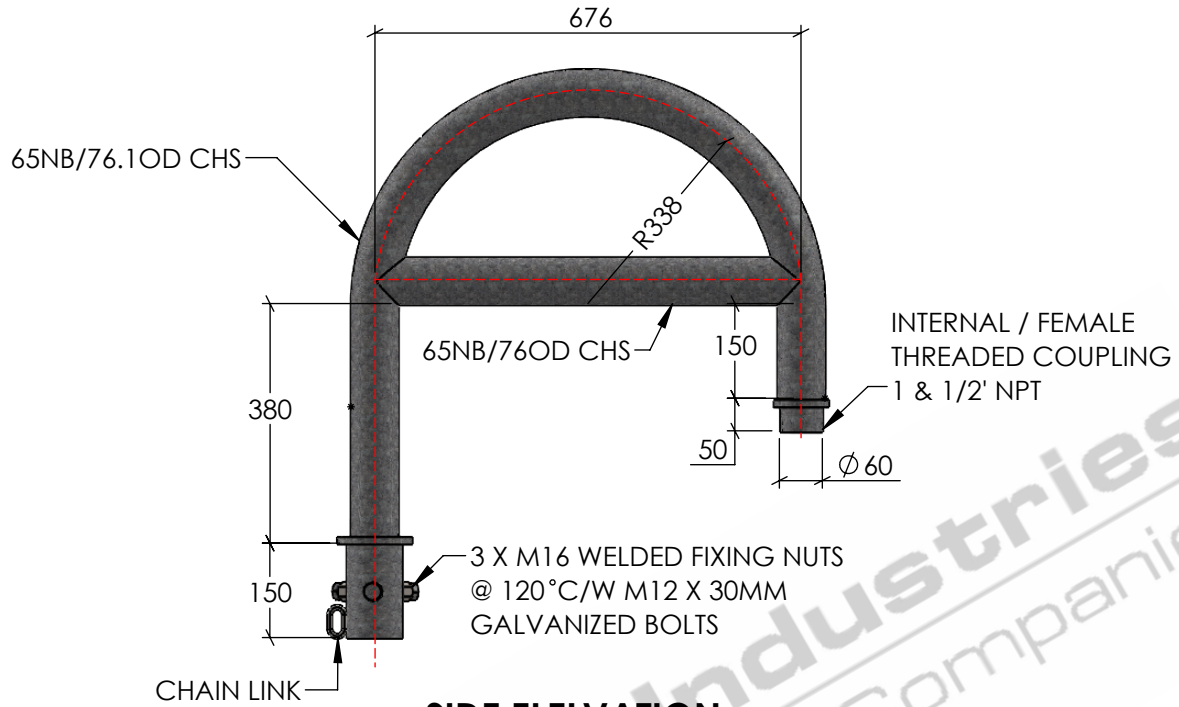


4 3 2 1

F

F



SIDE ELEVATION

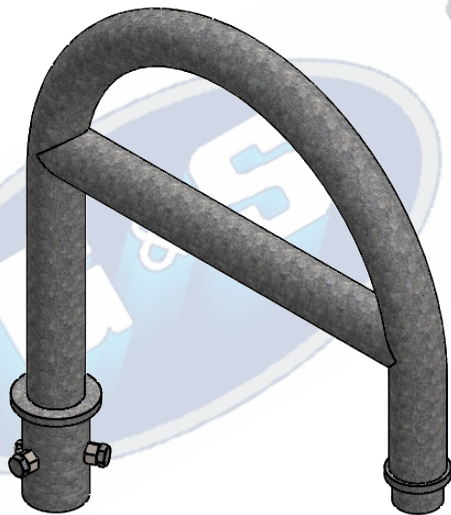
SCALE 1:12

E

E

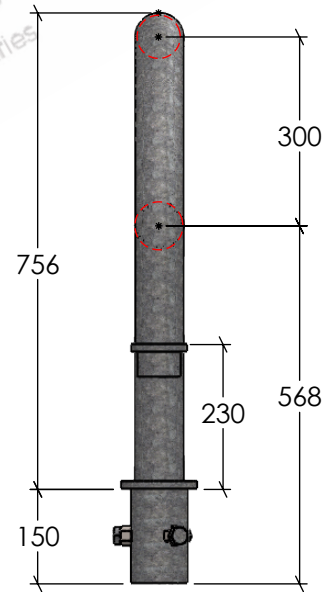
D

D



ISOMETRIC ELEVATION

SCALE 1:10



FRONT ELEVATION

SCALE 1:12

C

C

B

B

STANDARDS
ALL PRODUCTS TO CONFORM TO THE FOLLOWING AUSTRALIAN STANDARDS

- * AS 1554(set) Structural steel welding set.
- * AS 2159: Piling - Design & Installation.
- * AS 2870: Residential slab footings - Construction.
- * AS 3600: Concrete structures.
- * AS 3678: Structural steel - Hot rolled plates, floorplates and slabs.
- * AS 4680: Hot dip galvanized (Zinc) Coatings on fabricated ferrous articles.
- * AS/NZS 4671: Steel reinforcing materials.
- * AS/NZS 4676: Structural design requirements for utility services poles.

A

A



G&S Industries
Group of Companies
97 GUTHRIE STREET,
OSBORNE PARK W.A. 6017
PH : +6108 9446 8044
EMAIL: sales@gsindustries.com.au
WEB: www.gsindustries.com.au

PROPRIETARY AND CONFIDENTIAL
THE INFORMATION CONTAINED IN THIS DRAWING IS THE SOLE PROPERTY OF G&S INDUSTRIES. ANY REPRODUCTION IN PART OR AS A WHOLE WITHOUT THE WRITTEN PERMISSION OF G&S INDUSTRIES IS PROHIBITED.

SCALE: AS SHOWN
PRODUCT FINISH: H.D.G (HOT DIPPED GALVANIZED) PRODUCT WEIGHT: 18.3kg.
CUSTOMER APPROVAL :
CUSTOMER NAME / PROJECT :

	NAME	DATE
DRAWN	N.C. A.	04.06.2020
CHECKED	RG	04.06.2020
REVISED	N.C. A.	30.06.2020

COPYRIGHT
THIS DOCUMENT IS PRODUCED BY G&S INDUSTRIES
MUST NOT BE COPIED, TRACED, REPRODUCED,
OR LENT WITHOUT WRITTEN CONSENT

PART NUMBER :	CM04	
TITLE :	CAMERA ARM STABILIZED SMALL	
SIZE	DWG. NO.	REV.
A4	ZLRG2153	0
SHEET 1 OF 1		

4 3 2 1