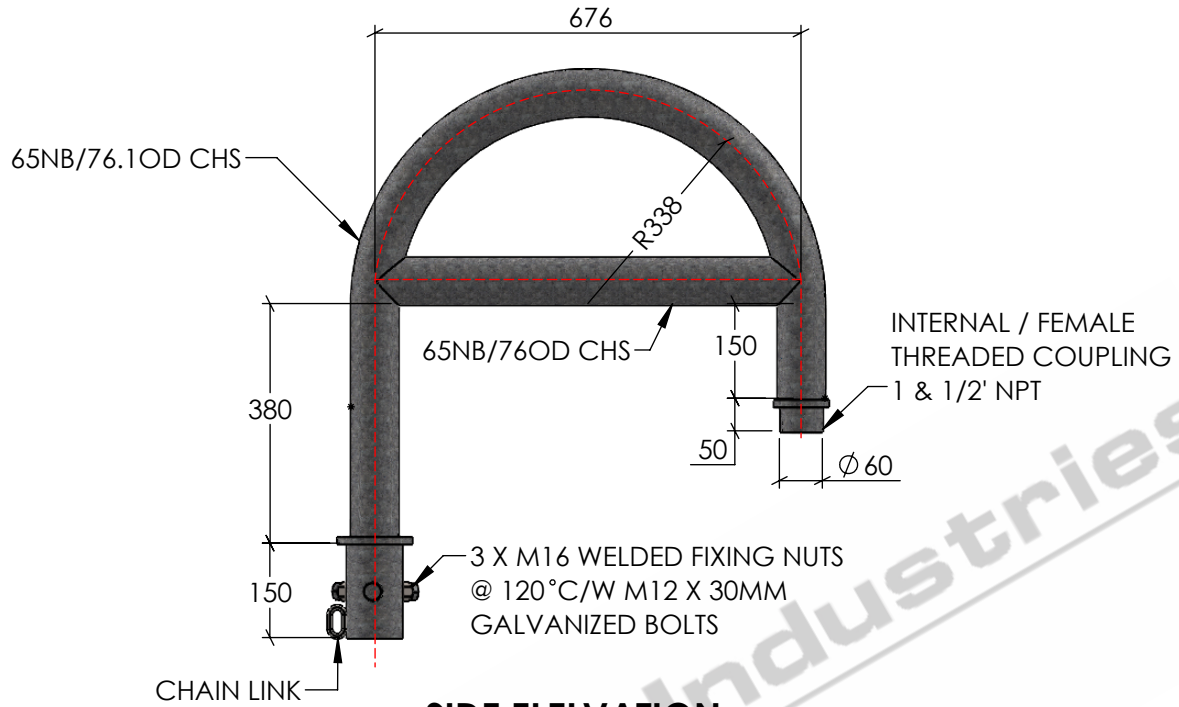


4 3 2 1

F

F



SIDE ELEVATION

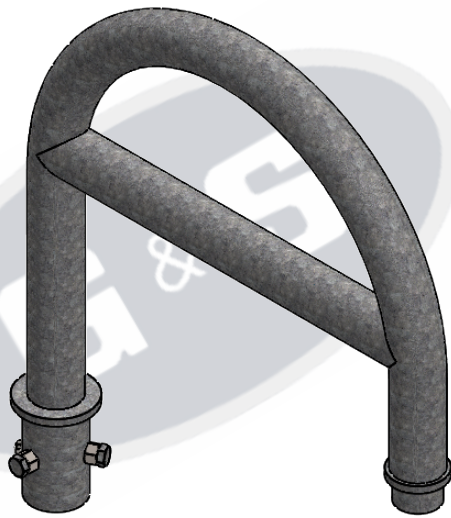
SCALE 1:12

E

E

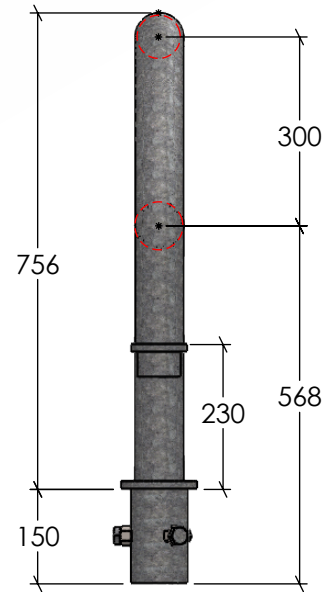
D

D



ISOMETRIC ELEVATION

SCALE 1:10



FRONT ELEVATION

SCALE 1:12

C

C

B

B

STANDARDS

- ALL PRODUCTS TO CONFORM TO THE FOLLOWING AUSTRALIAN STANDARDS.
- * AS 1170.2 Structural design actions - Wind actions.
 - * AS 1554(set) Structural steel welding set.
 - * AS 2159: Piling - Design & Installation.
 - * AS 2870: Residential slab footings - Construction.
 - * AS 3600: Concrete structures.
 - * AS 3678: Structural steel - Hot rolled plates, floorplates and slabs.
 - * AS 4680: Hot dip galvanized (Zinc) Coatings on fabricated ferrous articles.
 - * AS/NZS 4671: Steel reinforcing materials.
 - * AS/NZS 4600: Cold formed steel structures.

A

A



G & S Industries

97 GUTHRIE STREET,
OSBORNE PARK W.A. 6017
PH : +6108 9446 8044
EMAIL: sales@gsindustries.com.au
WEB: www.gsindustries.com.au

| | |
|---|-------------------------|
| PROPRIETARY AND CONFIDENTIAL | |
| THE INFORMATION CONTAINED IN THIS DRAWING IS THE SOLE PROPERTY OF G&S INDUSTRIES . ANY REPRODUCTION IN PART OR AS A WHOLE WITHOUT THE WRITTEN PERMISSION OF G&S INDUSTRIES IS PROHIBITED. | |
| SCALE: AS SHOWN | PRODUCT WEIGHT: 18.3kg. |
| PRODUCT FINISH: HOT DIPPED GALVANIZED | |
| CUSTOMER APPROVAL : | |
| CUSTOMER NAME / PROJECT : | |

| | | | |
|---|-------|------------|---------------|
| | NAME | DATE | PART NUMBER : |
| DRAWN | N. A. | 14.10.2022 | |
| CHECKED | S. G. | 14.10.2022 | TITLE : |
| APPROVED | R. G. | 14.10.2022 | |
| COPYRIGHT | | | |
| THIS DOCUMENT IS PRODUCED BY G&S INDUSTRIES MUST NOT BE COPIED, TRACED, REPRODUCED, OR LENT WITHOUT WRITTEN CONSENT | | | |

| | | |
|----------------|----------|---------------|
| SIZE A4 | DWG. NO. | REV. 0 |
| SHEET 1 OF 1 | | |

4 3 2 1