

4

3

2

1

F

F

E

E

D

D

C

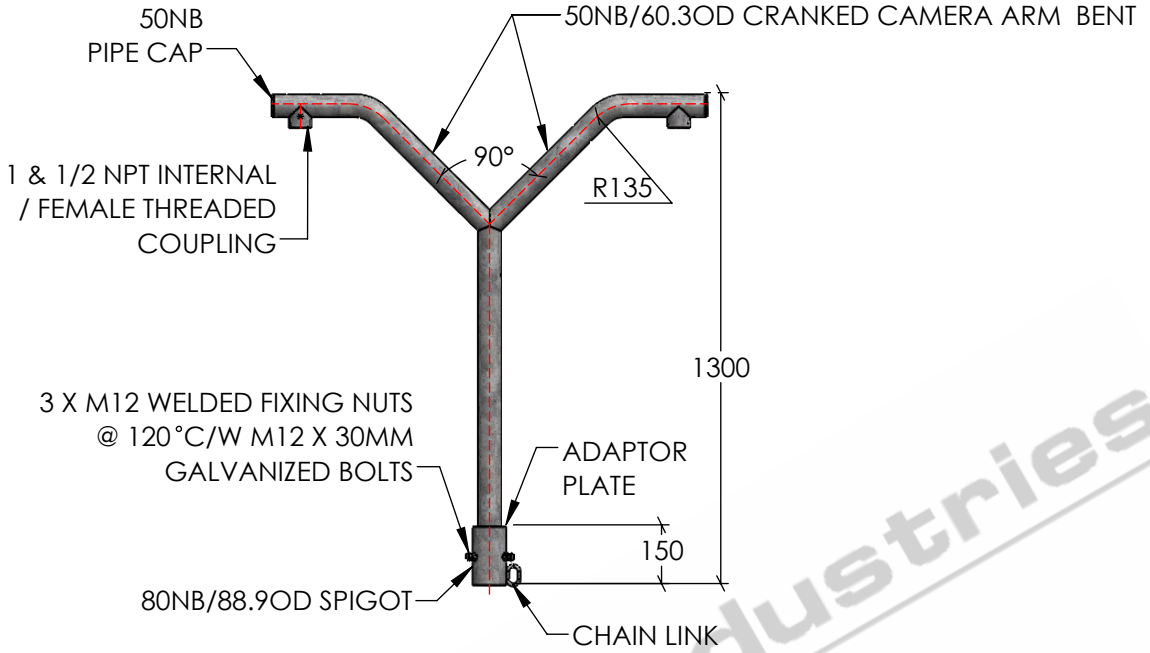
C

B

B

A

A



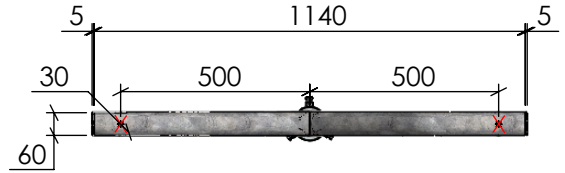
### SIDE ELEVATION

SCALE 1:15



### ISOMETRIC ELEVATION

SCALE 1:15



### TOP ELEVATION

SCALE 1:20

#### STANDARDS

- ALL PRODUCTS TO CONFORM TO THE FOLLOWING AUSTRALIAN STANDARDS.
- \* AS 1170.2 Structural design actions - Wind actions.
  - \* AS 1554(set) Structural steel welding set.
  - \* AS 2159: Piling - Design & Installation.
  - \* AS 2870: Residential slab footings - Construction.
  - \* AS 3600: Concrete structures.
  - \* AS 3678: Structural steel - Hot rolled plates, floorplates and slabs.
  - \* AS 4680: Hot dip galvanized (Zinc) Coatings on fabricated ferrous articles.
  - \* AS/NZS 4671: Steel reinforcing materials.
  - \* AS/NZS 4600: Cold formed steel structures.



**G & S Industries**  
 97 GUTHRIE STREET,  
 OSBORNE PARK W.A. 6017  
 PH : +6108 9446 8044  
 EMAIL: sales@gsindustries.com.au  
 WEB: www.gsindustries.com.au

<b>PROPRIETARY AND CONFIDENTIAL</b>	
THE INFORMATION CONTAINED IN THIS DRAWING IS THE SOLE PROPERTY OF G&S INDUSTRIES. ANY REPRODUCTION IN PART OR AS A WHOLE WITHOUT THE WRITTEN PERMISSION OF G&S INDUSTRIES IS PROHIBITED.	
SCALE: AS SHOWN	PRODUCT WEIGHT: 11.4kg.
PRODUCT FINISH: HOT DIPPED GALVANIZED	
CUSTOMER APPROVAL:	
CUSTOMER NAME / PROJECT:	

	NAME	DATE	PART NUMBER : <b>CM03</b>
DRAWN	N. A.	14.10.2022	
CHECKED	S. G.	14.10.2022	
APPROVED	R. G.	14.10.2022	
TITLE :			<b>DOUBLE CRANKED CAMERA ARM</b>
CUSTOMER APPROVAL:			
CUSTOMER NAME / PROJECT:			SIZE DWG. NO. <b>ZLRG2152</b> REV. <b>0</b>
THIS DOCUMENT IS PRODUCED BY G&S INDUSTRIES MUST NOT BE COPIED, TRACED, REPRODUCED, OR LENT WITHOUT WRITTEN CONSENT			

4

3

2

1