

4

3

2

1

76.1MM OD X 150
SPIGOT WITH INTERNAL CABLE
SUPPORT BRACKET

146 OD

MOUNTING
STRAP

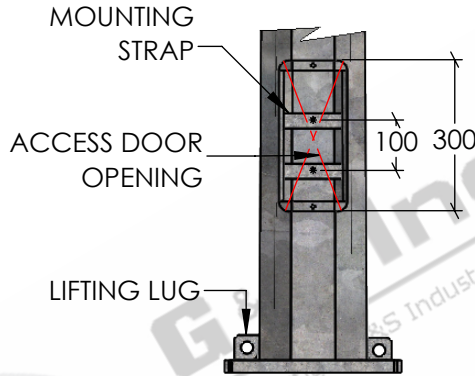
165

135

SECTION A-A

ACCESS DOOR CLEARANCE DETAIL

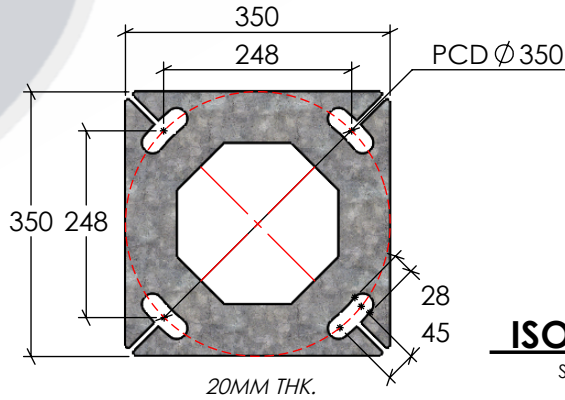
SCALE 1:8



*DOOR REMOVED FOR CLARITY

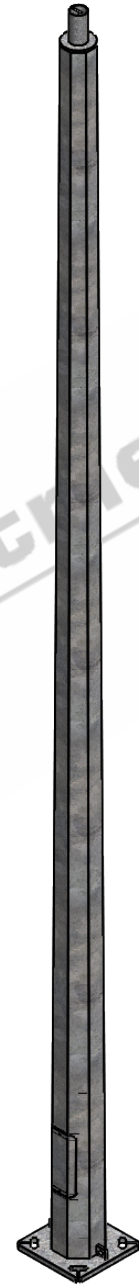
ELEVATION ON DOOR

SCALE 1:15



BASEPLATE DETAILS

SCALE 1:10



ISOMETRIC ELEVATION

SCALE 1:30

6000

A A

300

ACCESS
DOOR

300

GRND. LVL.

213 OD

4 X M24
@350 PCD

FRONT ELEVATION

SCALE 1:30

STANDARDS

ALL PRODUCTS TO CONFORM TO THE FOLLOWING AUSTRALIAN STANDARDS.

- * AS 1170.2 Structural design actions - Wind actions.
- * AS 1554(set) Structural steel welding set.
- * AS 2159: Piling - Design & Installation.
- * AS 2870: Residential slab footings - Construction.
- * AS 3600: Concrete structures.
- * AS 3678: Structural steel - Hot rolled plates, floorplates and slabs.
- * AS 4680: Hot dip galvanized (Zinc) Coatings on fabricated ferrous articles.
- * AS/NZS 4671: Steel reinforcing materials.
- * AS/NZS 4600: Cold formed steel structures.



G & S Industries

97 GUTHRIE STREET,
OSBORNE PARK W.A. 6017
PH : +6108 9446 8044
EMAIL: sales@gsindustries.com.au
WEB: www.gsindustries.com.au

PROPRIETARY AND CONFIDENTIAL

THE INFORMATION CONTAINED IN THIS DRAWING IS THE SOLE PROPERTY OF G&S INDUSTRIES. ANY REPRODUCTION IN PART OR AS A WHOLE WITHOUT THE WRITTEN PERMISSION OF G&S INDUSTRIES IS PROHIBITED.

SCALE: AS SHOWN PRODUCT WEIGHT: 108kg.

PRODUCT FINISH: HOT DIPPED GALVANIZED

CUSTOMER APPROVAL :

CUSTOMER NAME / PROJECT :

NAME DATE

DRAWN N. A. 14.10.2022

CHECKED S. G. 14.10.2022

APPROVED R. G. 14.10.2022

PART NUMBER :

CCTV6BFM

TITLE :

**6M MEDIUM DUTY
FIXED TAPERED
OCTAGONAL CCTV POLE**

COPYRIGHT

THIS DOCUMENT IS PRODUCED BY G&S INDUSTRIES
MUST NOT BE COPIED, TRACED, REPRODUCED,
OR LENT WITHOUT WRITTEN CONSENT

SIZE DWG. NO.

A4

ZLRG2136

REV.

0

SHEET 1 OF 1

4

3

2

1

A

A

F

F

E

E

D

D

C

C

B

B