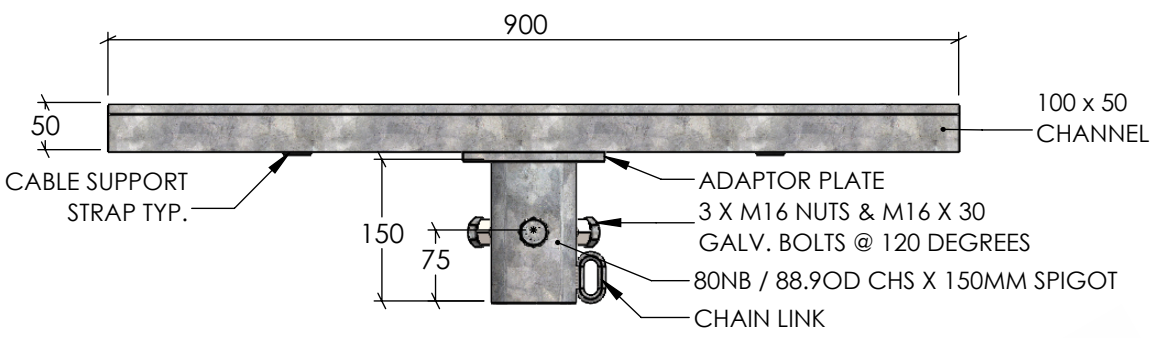


4

3

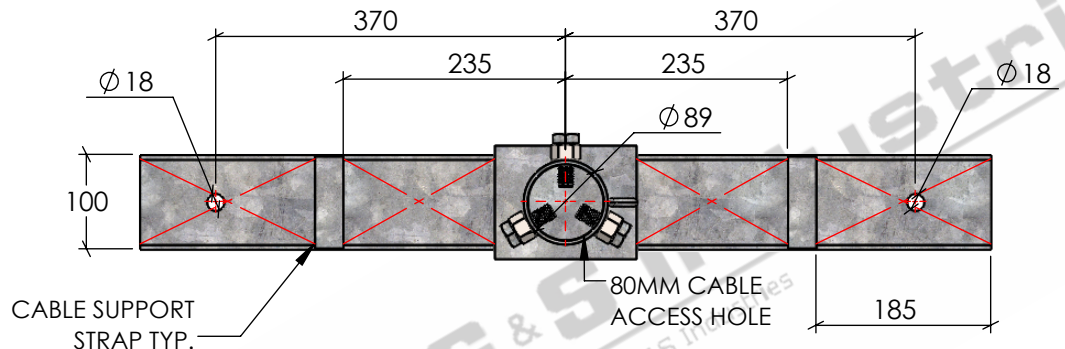
2

1



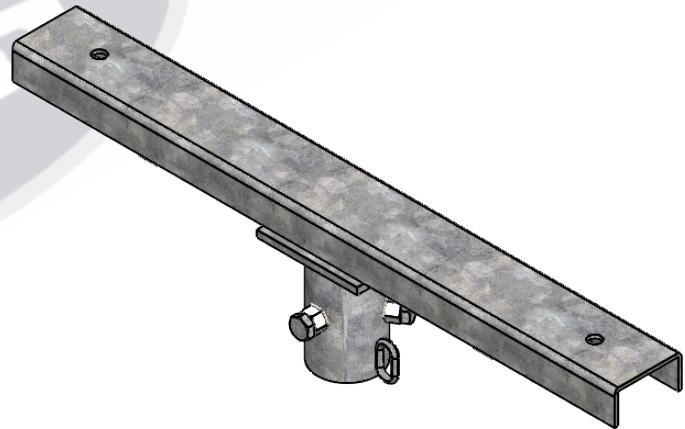
**SIDE VIEW**

SCALE 1:8



**BOTTOM VIEW**

SCALE 1:8



**ISOMETRIC VIEW**

SCALE 1:8

**STANDARDS**

ALL PRODUCTS TO CONFORM TO THE FOLLOWING AUSTRALIAN STANDARDS.

- \* AS 1170.2 Structural design actions - Wind actions.
- \* AS 3678: Structural steel - Hot rolled plates, floorplates and slabs.
- \* AS 1554(set) Structural steel welding set.
- \* AS 4680: Hot dip galvanized (Zinc) Coatings on fabricated ferrous articles.
- \* AS 2159: Piling - Design & Installation.
- \* AS/NZS 4671: Steel reinforcing materials.
- \* AS 2870: Residential slab footings - Construction.
- \* AS/NZS 4600: Cold formed steel structures.
- \* AS 3600: Concrete structures.



**G & S Industries**  
 97 GUTHRIE STREET,  
 OSBORNE PARK W.A. 6017  
 PH : +6108 9446 8044  
 EMAIL: sales@gsindustries.com.au  
 WEB: www.gsindustries.com.au

<b>PROPRIETARY AND CONFIDENTIAL</b> THE INFORMATION CONTAINED IN THIS DRAWING IS THE SOLE PROPERTY OF G&S INDUSTRIES. ANY REPRODUCTION IN PART OR AS A WHOLE WITHOUT THE WRITTEN PERMISSION OF G&S INDUSTRIES IS PROHIBITED.		NAME	DATE	PART NUMBER : <b>CA900T2</b>
SCALE: AS SHOWN	PRODUCT WEIGHT: 9kg.	DRAWN	N. A. 14.10.2022	
PRODUCT FINISH: HOT DIPPED GALVANIZED		CHECKED	S. G. 14.10.2022	TITLE : <b>900MM CROSSARM SUIT 2 TRUNION MOUNTED LIGHTS</b>
CUSTOMER APPROVAL :		APPROVED	R. G. 14.10.2022	
CUSTOMER NAME / PROJECT :		<b>COPYRIGHT</b>		SIZE DWG. NO. <b>ZLRG2169</b>
		THIS DOCUMENT IS PRODUCED BY G&S INDUSTRIES MUST NOT BE COPIED, TRACED, REPRODUCED, OR LENT WITHOUT WRITTEN CONSENT		REV. <b>0</b>

4

3

2

1