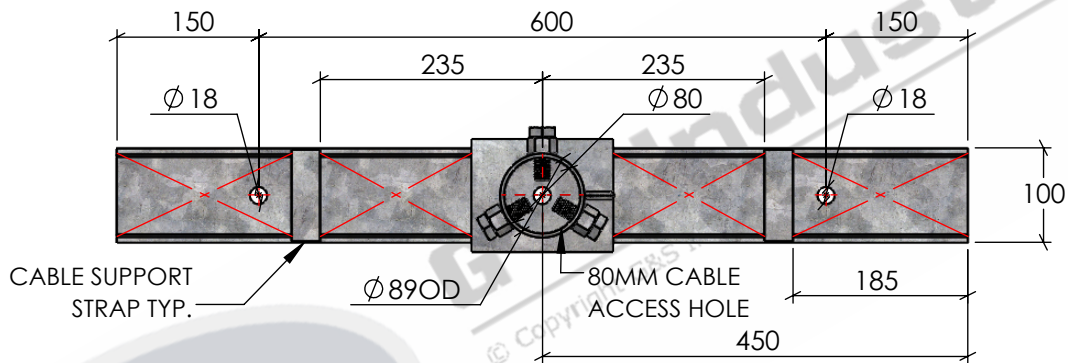


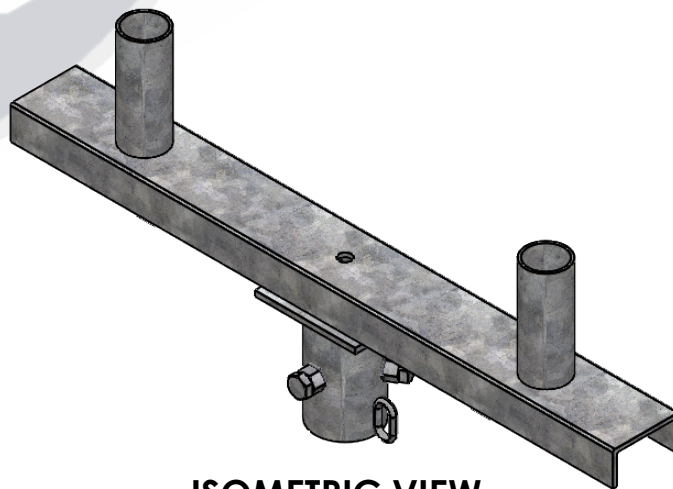
**SIDE VIEW**

SCALE 1:8



**BOTTOM VIEW**

SCALE 1:8




**ISOMETRIC VIEW**

SCALE 1:8

**STANDARDS**

ALL PRODUCTS TO CONFORM TO THE FOLLOWING AUSTRALIAN STANDARDS.

- \* AS 1170.2 Structural design actions - Wind actions.
- \* AS 3678: Structural steel - Hot rolled plates, floorplates and slabs.
- \* AS 1554(set) Structural steel welding set.
- \* AS 4680: Hot dip galvanized (Zinc) Coatings on fabricated ferrous articles.
- \* AS 2159: Piling - Design & Installation.
- \* AS/NZS 4671: Steel reinforcing materials.
- \* AS 2870: Residential slab footings - Construction.
- \* AS/NZS 4600: Cold formed steel structures.
- \* AS 3600: Concrete structures.

 <b>G &amp; S Industries</b> 97 GUTHRIE STREET, OSBORNE PARK W.A. 6017 PH : +6108 9446 8044 EMAIL: sales@gsindustries.com.au WEB: www.gsindustries.com.au	<b>PROPRIETARY AND CONFIDENTIAL</b> THE INFORMATION CONTAINED IN THIS DRAWING IS THE SOLE PROPERTY OF G&S INDUSTRIES. ANY REPRODUCTION IN PART OR AS A WHOLE WITHOUT THE WRITTEN PERMISSION OF G&S INDUSTRIES IS PROHIBITED.	NAME N. A.	DATE 14.10.2022	PART NUMBER : <b>CA900S2-60</b>		
	SCALE: <b>AS SHOWN</b> PRODUCT WEIGHT: <b>10.7kg.</b>	CHECKED S. G.	14.10.2022	TITLE : <b>900MM CROSSARM SUIT 2 60 OD SPIGOT MOUNTED LIGHTS</b>		
	PRODUCT FINISH: <b>HOT DIPPED GALVANIZED</b>	APPROVED R. G.	14.10.2022	SIZE <b>A4</b> DWG. NO. <b>ZLRG2170A1</b> REV. <b>0</b>		
	CUSTOMER APPROVAL :  CUSTOMER NAME / PROJECT :	<b>COPYRIGHT</b> THIS DOCUMENT IS PRODUCED BY G&S INDUSTRIES MUST NOT BE COPIED, TRACED, REPRODUCED, OR LENT WITHOUT WRITTEN CONSENT			SHEET 1 OF 1	