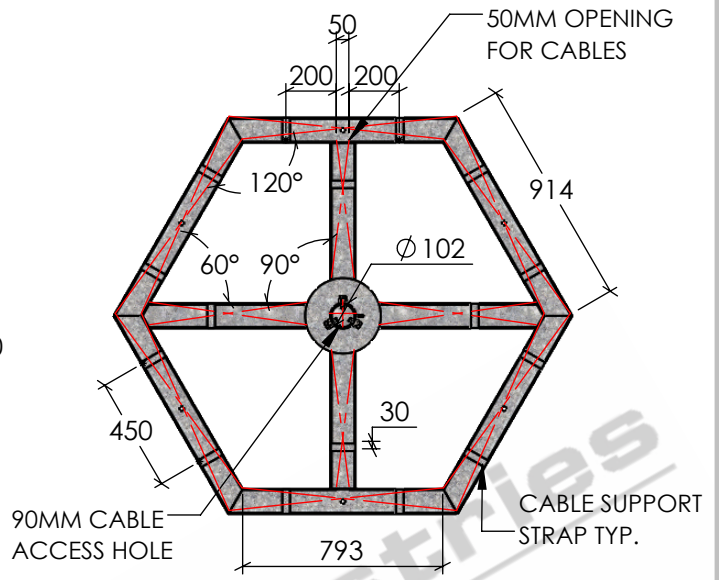


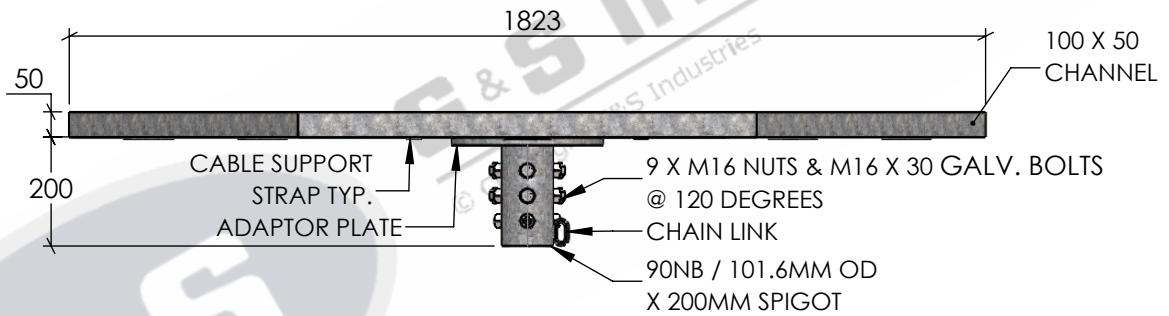
TOP VIEW

SCALE 1:30



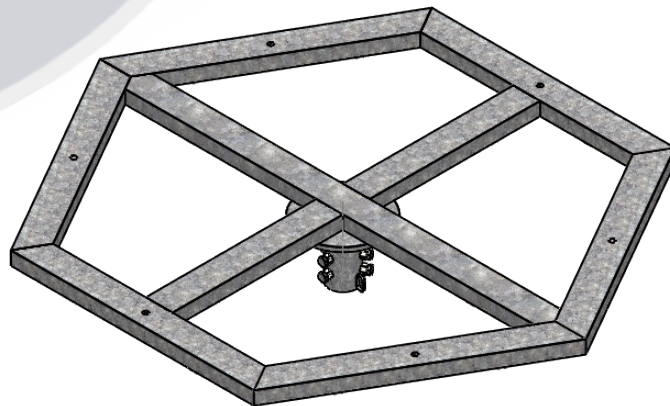
BOTTOM VIEW

SCALE 1:30



FRONT VIEW

SCALE 1:10



ISOMETRIC VIEW

SCALE 1:10

STANDARDS

ALL PRODUCTS TO CONFORM TO THE FOLLOWING AUSTRALIAN STANDARDS.

- * AS 1170.2 Structural design actions - Wind actions.
- * AS 3678: Structural steel - Hot rolled plates, floorplates and slabs.
- * AS 1554(set) Structural steel welding set.
- * AS 4680: Hot dip galvanized (Zinc) Coatings on fabricated ferrous articles.
- * AS 2159: Piling - Design & Installation.
- * AS/NZS 4671: Steel reinforcing materials.
- * AS 2870: Residential slab footings - Construction.
- * AS/NZS 4600: Cold formed steel structures.
- * AS 3600: Concrete structures.



G & S Industries

97 GUTHRIE STREET,
OSBORNE PARK W.A. 6017
PH : +6108 9446 8044
EMAIL: sales@gsindustries.com.au
WEB: www.gsindustries.com.au

PROPRIETARY AND CONFIDENTIAL	
THE INFORMATION CONTAINED IN THIS DRAWING IS THE SOLE PROPERTY OF G&S INDUSTRIES. ANY REPRODUCTION IN PART OR AS A WHOLE WITHOUT THE WRITTEN PERMISSION OF G&S INDUSTRIES IS PROHIBITED.	
SCALE: AS SHOWN	PRODUCT WEIGHT: 72.5kg.
PRODUCT FINISH: HOT DIPPED GALVANIZED	
CUSTOMER APPROVAL:	
CUSTOMER NAME / PROJECT:	

	NAME	DATE
DRAWN	N. A.	14.10.2022
CHECKED	S. G.	14.10.2022
APPROVED	R. G.	14.10.2022
COPYRIGHT		
THIS DOCUMENT IS PRODUCED BY G&S INDUSTRIES MUST NOT BE COPIED, TRACED, REPRODUCED, OR LENT WITHOUT WRITTEN CONSENT		

PART NUMBER :	CA6WAYT6	
TITLE :	6 WAY CROSSARM TO SUIT TRUNION MOUNTED LIGHTS	
SIZE	DWG. NO.	REV.
A4	ZLRG2179A	0
SHEET 1 OF 1		