

4

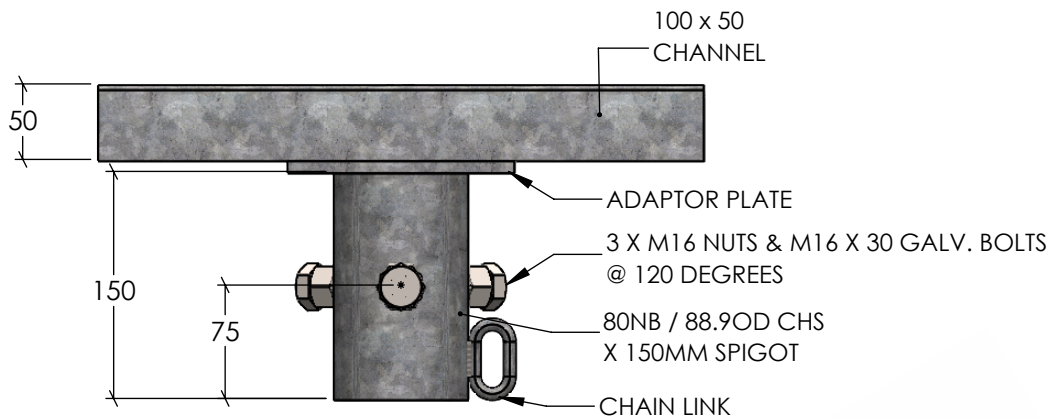
3

2

1

F

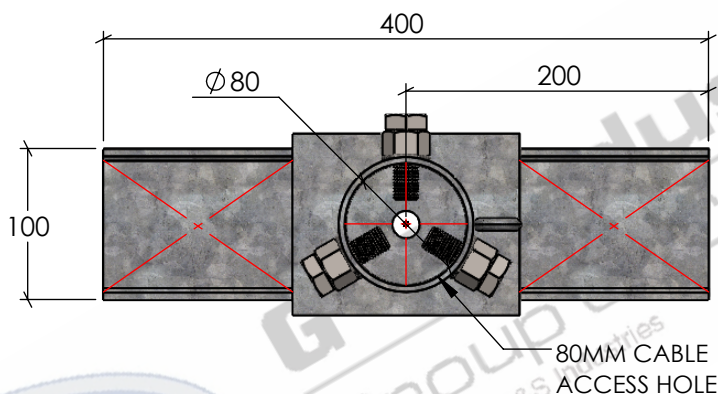
F

**SIDE VIEW**

SCALE 1:5

E

E

**BOTTOM VIEW**

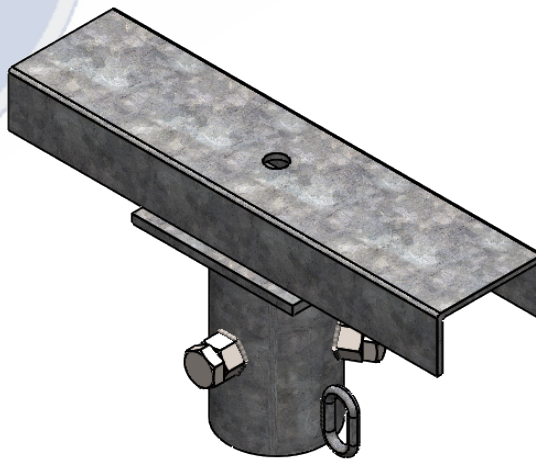
SCALE 1:5

D

D

C

C

**ISOMETRIC VIEW**

SCALE 1:5

B

B

## STANDARDS

ALL PRODUCTS TO CONFORM TO THE FOLLOWING AUSTRALIAN STANDARDS

\* AS 1554(set) Structural steel welding set.

\* AS 3678: Structural steel - Hot rolled plates, floorplates and slabs.

\* AS 2159: Piling - Design &amp; Installation.

\* AS 4680: Hot dip galvanized (Zinc) Coatings on fabricated ferrous articles.

\* AS 2870: Residential slab footings - Construction.

\* AS/NZS 4671: Steel reinforcing materials.

\* AS 3600: Concrete structures.

\* AS/NZS 4676: Structural design requirements for utility services poles.

**PROPRIETARY AND CONFIDENTIAL**

THE INFORMATION CONTAINED IN THIS DRAWING IS THE SOLE PROPERTY OF G&S INDUSTRIES. ANY REPRODUCTION IN PART OR AS A WHOLE WITHOUT THE WRITTEN PERMISSION OF G&S INDUSTRIES IS PROHIBITED.

SCALE: AS SHOWN

PRODUCT FINISH: H.D.G  
(HOT DIPPED GALVANIZED)

PRODUCT WEIGHT: 5.2kg.

CUSTOMER APPROVAL:

CUSTOMER NAME / PROJECT:

NAME DATE

DRAWN N.C. A. 04.06.2020

CHECKED RG 04.06.2020

REVISED N.C. A. 30.06.2020

**COPYRIGHT**

THIS DOCUMENT IS PRODUCED BY G&S INDUSTRIES MUST NOT BE COPIED, TRACED, REPRODUCED, OR LENT WITHOUT WRITTEN CONSENT

PART NUMBER :

**CA400T1**

TITLE :

**400MM CROSSARM  
TO FIT TRUNION MOUNTED LIGHTS**

SIZE DWG. NO.

**A4****ZLRG2168**

REV.

**0**

SHEET 1 OF 1

A

A

4

3

2

1



**G&S Industries**  
Group of Companies

97 GUTHRIE STREET,  
OSBORNE PARK W.A. 6017  
PH : +6108 9446 8044

EMAIL: sales@gsindustries.com.au  
WEB: www.gsindustries.com.au