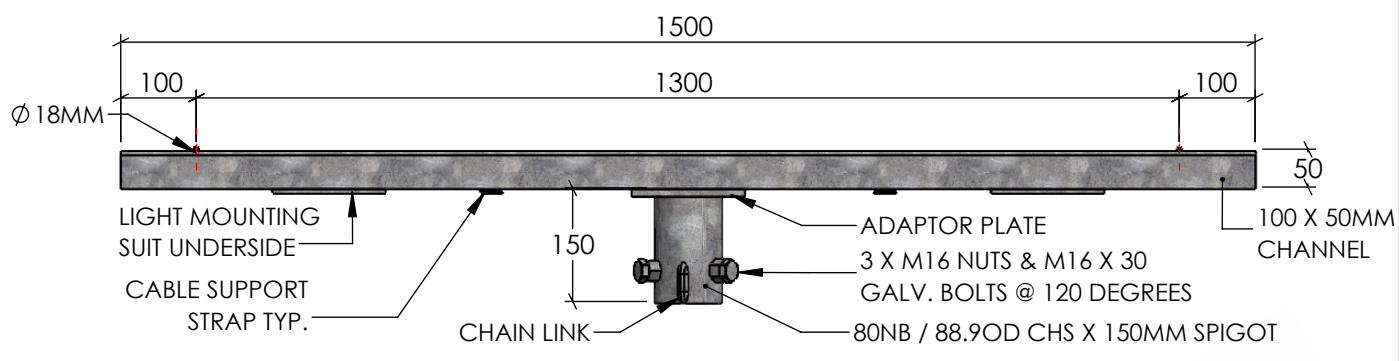
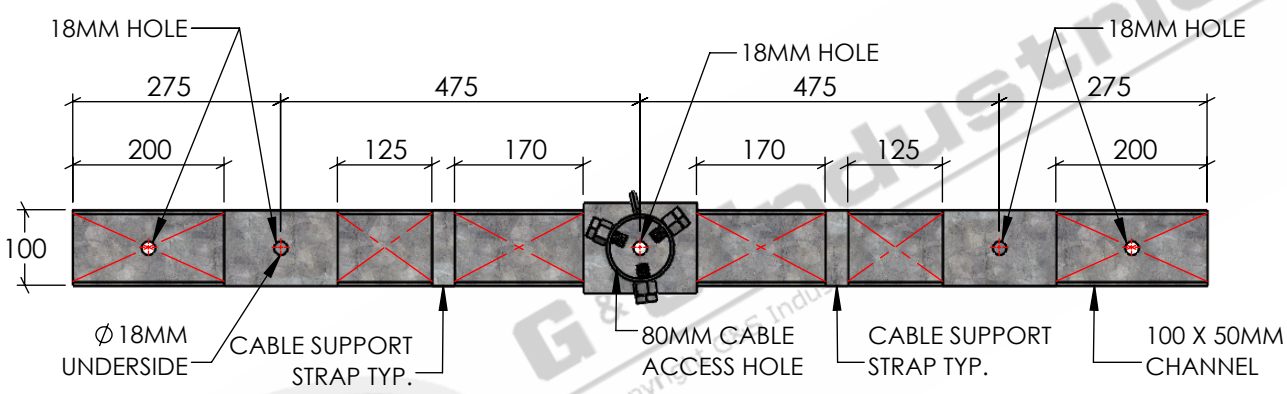


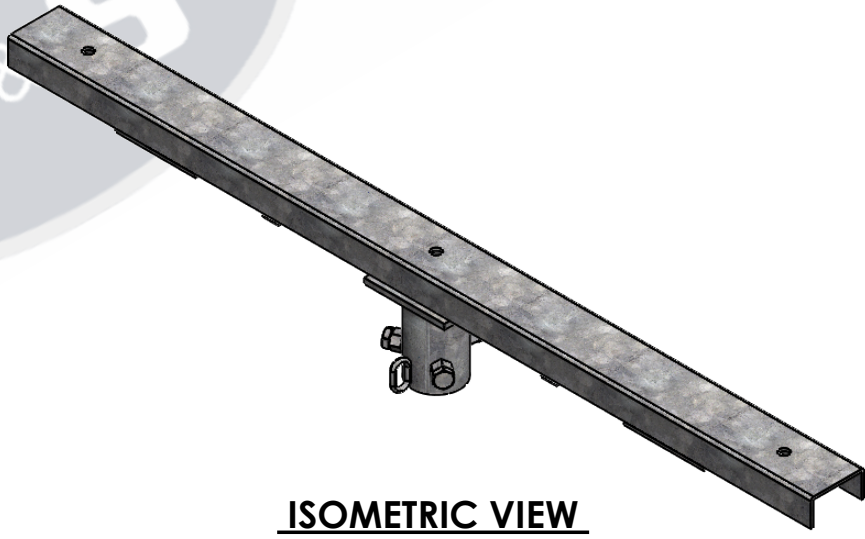
4 3 2 1



SIDE VIEW
SCALE 1:10



BOTTOM VIEW
SCALE 1:10



ISOMETRIC VIEW
SCALE 1:10

STANDARDS

- ALL PRODUCTS TO CONFORM TO THE FOLLOWING AUSTRALIAN STANDARDS.
- * AS 1170.2 Structural design actions - Wind actions.
 - * AS 3678: Structural steel - Hot rolled plates, floorplates and slabs.
 - * AS 1554(set) Structural steel welding set.
 - * AS 4680: Hot dip galvanized (Zinc) Coatings on fabricated ferrous articles.
 - * AS 2159: Piling - Design & Installation.
 - * AS/NZS 4671: Steel reinforcing materials.
 - * AS 2870: Residential slab footings - Construction.
 - * AS/NZS 4600: Cold formed steel structures.
 - * AS 3600: Concrete structures.

<p>PROPRIETARY AND CONFIDENTIAL</p> <p>THE INFORMATION CONTAINED IN THIS DRAWING IS THE SOLE PROPERTY OF G&S INDUSTRIES. ANY REPRODUCTION IN PART OR AS A WHOLE WITHOUT THE WRITTEN PERMISSION OF G&S INDUSTRIES IS PROHIBITED.</p> <p>SCALE: AS SHOWN PRODUCT WEIGHT: 18kg.</p> <p>PRODUCT FINISH: HOT DIPPED GALVANIZED</p> <p>CUSTOMER APPROVAL:</p> <p>CUSTOMER NAME / PROJECT:</p>	NAME	DATE	PART NUMBER : CA1500T3OR5 TITLE : 1500MM CROSSARM TO SUIT 3 OR 5 TRUNION MOUNTED LIGHTS	
	DRAWN	N. A.		14.10.2022
	CHECKED	S. G.		14.10.2022
	APPROVED	R. G.		14.10.2022
	COPYRIGHT			
THIS DOCUMENT IS PRODUCED BY G&S INDUSTRIES MUST NOT BE COPIED, TRACED, REPRODUCED, OR LENT WITHOUT WRITTEN CONSENT			SIZE DWG. NO. ZLRG2173 REV. 0	

G & S Industries

97 GUTHRIE STREET,
OSBORNE PARK W.A. 6017
PH : +6108 9446 8044
EMAIL: sales@gsindustries.com.au
WEB: www.gsindustries.com.au

4 3 2 1