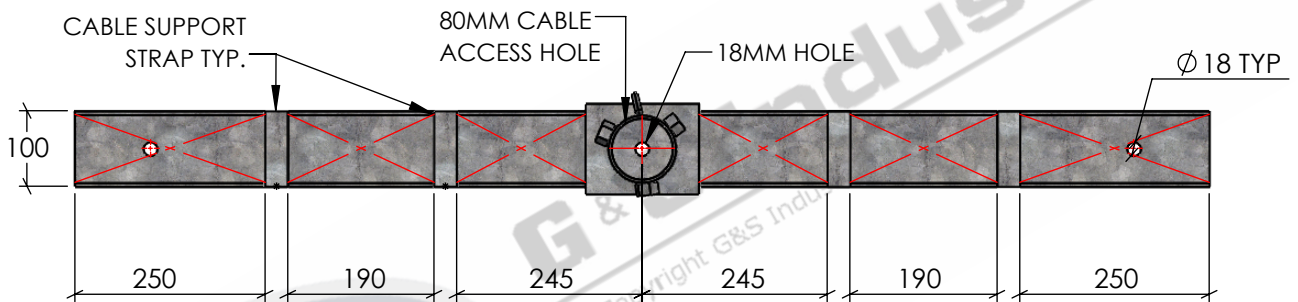


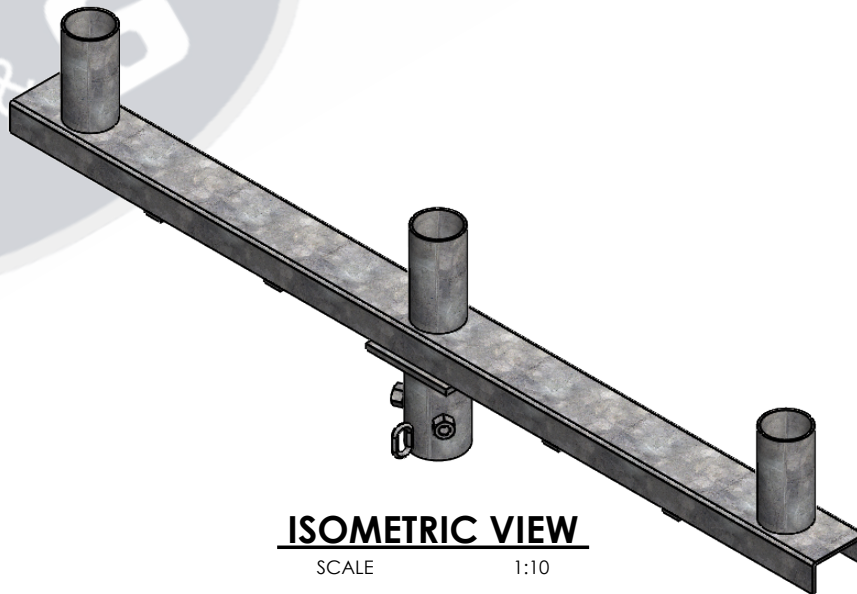
SIDE VIEW

SCALE 1:10



BOTTOM VIEW

SCALE 1:10




ISOMETRIC VIEW

SCALE 1:10

STANDARDS

ALL PRODUCTS TO CONFORM TO THE FOLLOWING AUSTRALIAN STANDARDS.

- * AS 1170.2 Structural design actions - Wind actions. * AS 3678: Structural steel - Hot rolled plates, floorplates and slabs.
- * AS 1554(set) Structural steel welding set. * AS 4680: Hot dip galvanized (Zinc) Coatings on fabricated ferrous articles.
- * AS 2159: Piling - Design & Installation. * AS/NZS 4671: Steel reinforcing materials.
- * AS 2870: Residential slab footings - Construction. * AS/NZS 4600: Cold formed steel structures.
- * AS 3600: Concrete structures.

 G & S Industries 97 GUTHRIE STREET, OSBORNE PARK W.A. 6017 PH : +6108 9446 8044 EMAIL: sales@gsindustries.com.au WEB: www.gsindustries.com.au	PROPRIETARY AND CONFIDENTIAL		NAME	DATE	PART NUMBER : CA1500S3	
	THE INFORMATION CONTAINED IN THIS DRAWING IS THE SOLE PROPERTY OF G&S INDUSTRIES . ANY REPRODUCTION IN PART OR AS A WHOLE WITHOUT THE WRITTEN PERMISSION OF G&S INDUSTRIES IS PROHIBITED.		DRAWN	N. A.		14.10.2022
	SCALE: AS SHOWN	PRODUCT WEIGHT: 19.6kg.	CHECKED	S. G.	14.10.2022	TITLE : 1500MM CROSSARM TO SUIT 3 X 76OD SPIGOT MOUNTED LIGHTS
	PRODUCT FINISH: HOT DIPPED GALVANIZED		APPROVED	R. G.	14.10.2022	
CUSTOMER APPROVAL :		COPYRIGHT			SIZE DWG. NO.	
CUSTOMER NAME / PROJECT :		THIS DOCUMENT IS PRODUCED BY G&S INDUSTRIES MUST NOT BE COPIED, TRACED, REPRODUCED, OR LENT WITHOUT WRITTEN CONSENT			ZLRG2174	REV. 0
					SHEET 1 OF 1	