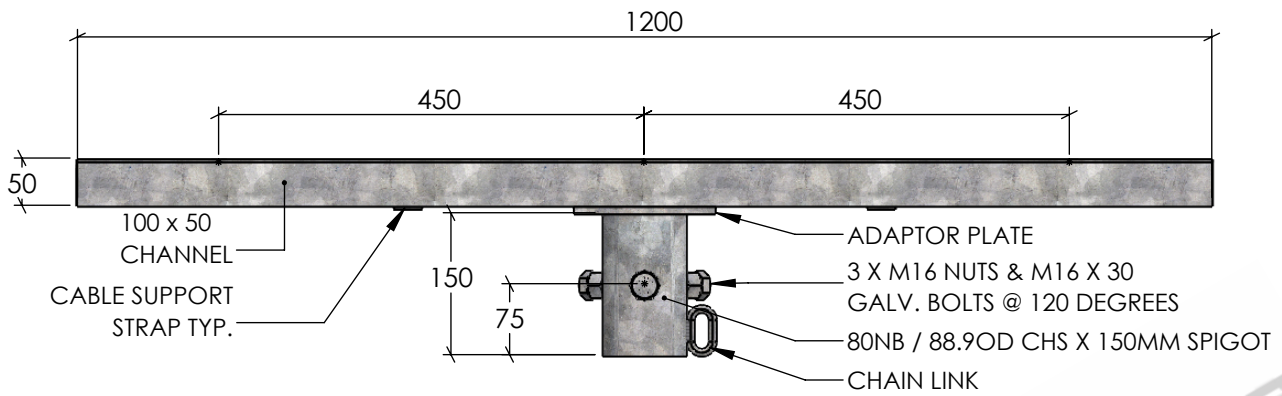


4 3 2 1

F

F

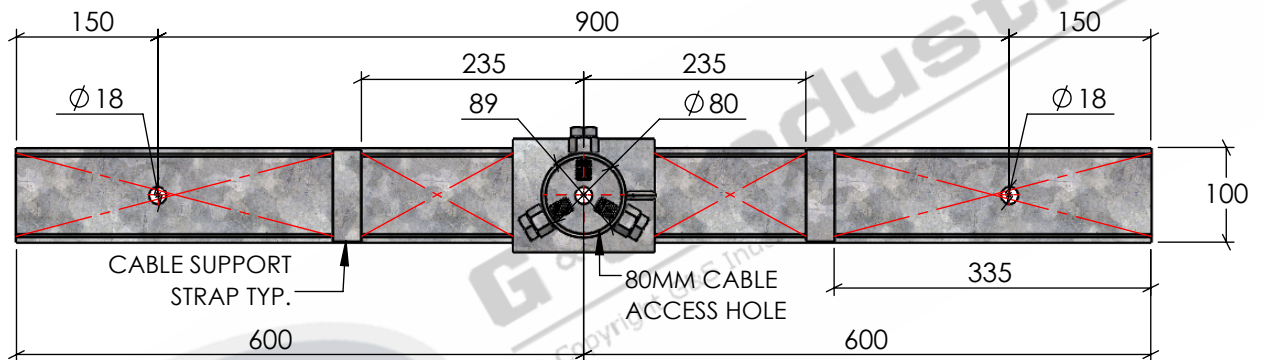


SIDE VIEW

SCALE 1:8

E

E



BOTTOM VIEW

SCALE 1:8

D

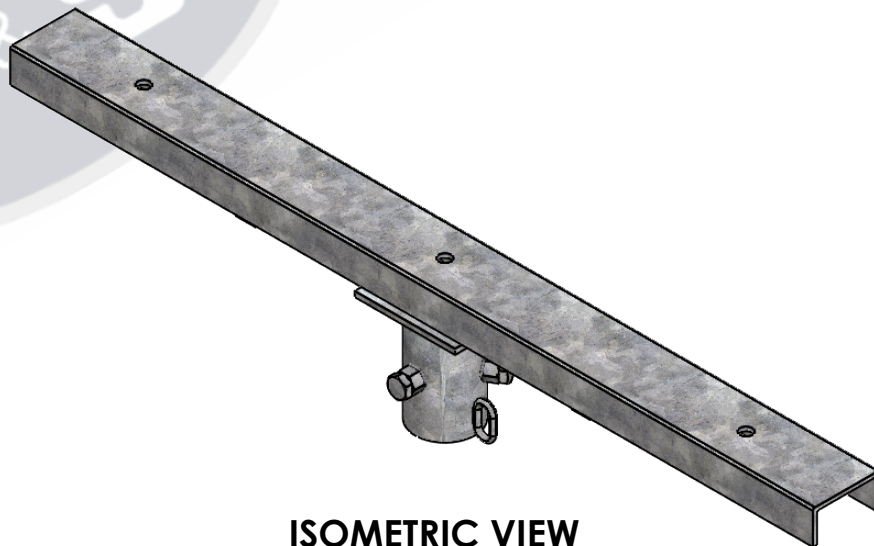
D

C

C

B

B



ISOMETRIC VIEW

SCALE 1:8


STANDARDS

ALL PRODUCTS TO CONFORM TO THE FOLLOWING AUSTRALIAN STANDARDS.

- * AS 1170.2 Structural design actions - Wind actions.
- * AS 3678: Structural steel - Hot rolled plates, floorplates and slabs.
- * AS 1554(set) Structural steel welding set.
- * AS 4680: Hot dip galvanized (Zinc) Coatings on fabricated ferrous articles.
- * AS 2159: Piling - Design & Installation.
- * AS/NZS 4671: Steel reinforcing materials.
- * AS 2870: Residential slab footings - Construction.
- * AS/NZS 4600: Cold formed steel structures.
- * AS 3600: Concrete structures.

A

A

 <p>G & S Industries</p> <p>97 GUTHRIE STREET, OSBORNE PARK W.A. 6017 PH : +6108 9446 8044 EMAIL: sales@gsindustries.com.au WEB: www.gsindustries.com.au</p>	<p>PROPRIETARY AND CONFIDENTIAL</p> <p>THE INFORMATION CONTAINED IN THIS DRAWING IS THE SOLE PROPERTY OF G&S INDUSTRIES . ANY REPRODUCTION IN PART OR AS A WHOLE WITHOUT THE WRITTEN PERMISSION OF G&S INDUSTRIES IS PROHIBITED.</p>		NAME	DATE	PART NUMBER : CA1200T3	
	SCALE: AS SHOWN	PRODUCT WEIGHT: 11.6kg.	DRAWN	N. A.		14.10.2022
	PRODUCT FINISH: HOT DIPPED GALVANIZED		CHECKED	S. G.	14.10.2022	TITLE : 1200MM CROSSARM SUIT 3 X TRUNION MOUNTED LIGHTS
	CUSTOMER APPROVAL :		APPROVED	R. G.	14.10.2022	
	CUSTOMER NAME / PROJECT :		COPYRIGHT			
		THIS DOCUMENT IS PRODUCED BY G&S INDUSTRIES MUST NOT BE COPIED, TRACED, REPRODUCED, OR LENT WITHOUT WRITTEN CONSENT			SIZE DWG. NO. A4 ZLRG2171	
					REV. 0	

4 3 2 1