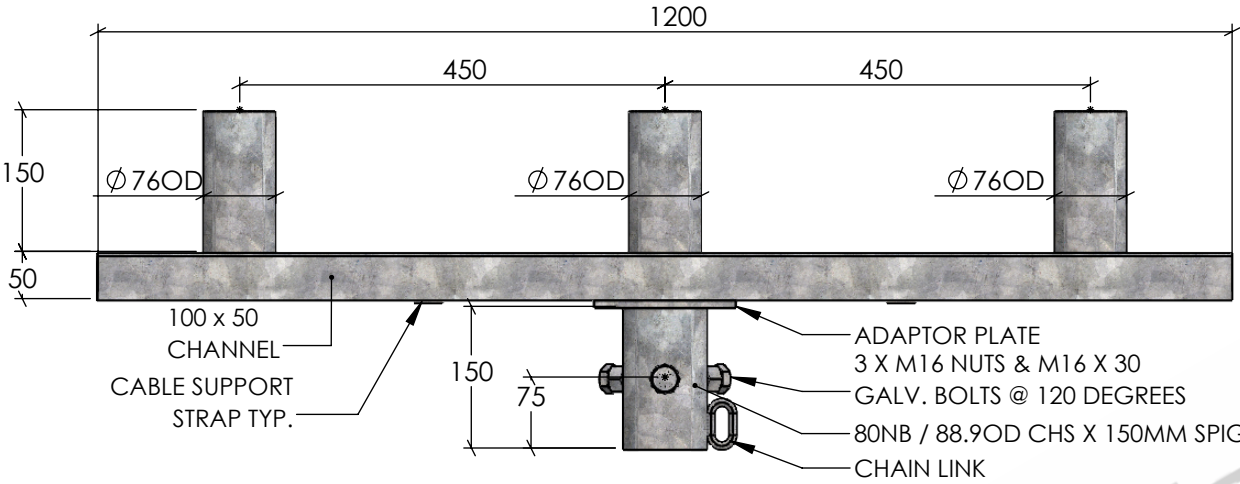
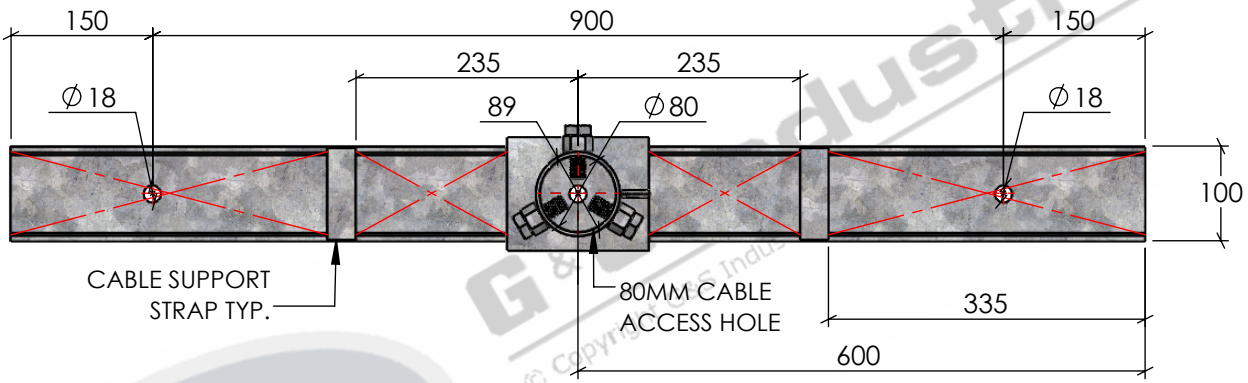


4 3 2 1



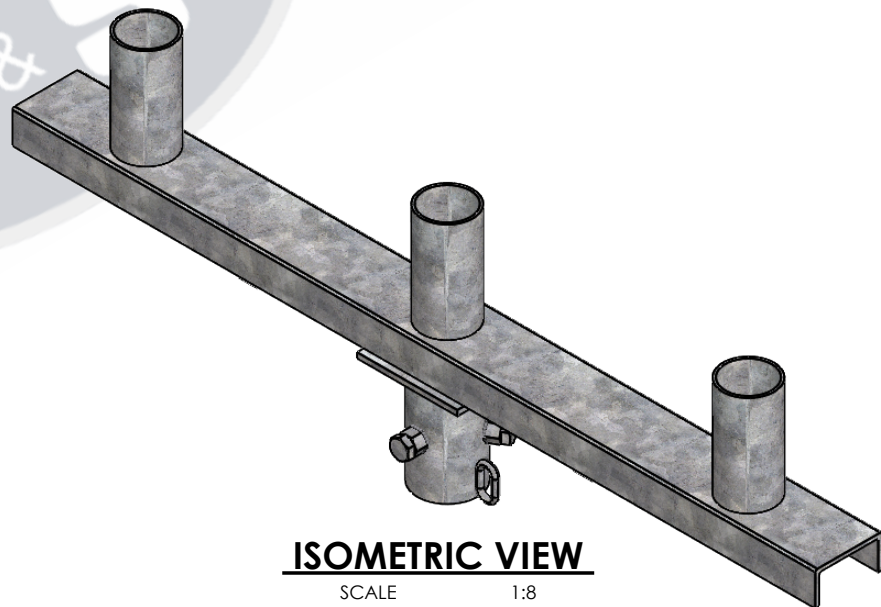
**SIDE VIEW**

SCALE 1:8



**BOTTOM VIEW**

SCALE 1:8



**ISOMETRIC VIEW**

SCALE 1:8

**STANDARDS**

- ALL PRODUCTS TO CONFORM TO THE FOLLOWING AUSTRALIAN STANDARDS.
- \* AS 1170.2 Structural design actions - Wind actions.
  - \* AS 3678: Structural steel - Hot rolled plates, floorplates and slabs.
  - \* AS 1554(set) Structural steel welding set.
  - \* AS 4680: Hot dip galvanized (Zinc) Coatings on fabricated ferrous articles.
  - \* AS 2159: Piling - Design & Installation.
  - \* AS/NZS 4671: Steel reinforcing materials.
  - \* AS 2870: Residential slab footings - Construction.
  - \* AS/NZS 4600: Cold formed steel structures.
  - \* AS 3600: Concrete structures.

<p><b>G &amp; S Industries</b> 97 GUTHRIE STREET, OSBORNE PARK W.A. 6017 PH : +6108 9446 8044 EMAIL: sales@gsindustries.com.au WEB: www.gsindustries.com.au</p>	<b>PROPRIETARY AND CONFIDENTIAL</b> THE INFORMATION CONTAINED IN THIS DRAWING IS THE SOLE PROPERTY OF G&S INDUSTRIES. ANY REPRODUCTION IN PART OR AS A WHOLE WITHOUT THE WRITTEN PERMISSION OF G&S INDUSTRIES IS PROHIBITED.		NAME	DATE	PART NUMBER : <b>CA1200S3</b>		
	SCALE: AS SHOWN	PRODUCT WEIGHT: 13.2kg.	DRAWN	N. A.		14.10.2022	
	PRODUCT FINISH: HOT DIPPED GALVANIZED		CHECKED	S. G.	14.10.2022	TITLE : <b>1200MM CROSSARM TO SUIT 3 76OD SPIGOT MOUNTED LIGHTS</b>	
	CUSTOMER APPROVAL :		APPROVED	R. G.	14.10.2022		
CUSTOMER NAME / PROJECT :		<b>COPYRIGHT</b>			SIZE DWG. NO.	REV.	
		THIS DOCUMENT IS PRODUCED BY G&S INDUSTRIES MUST NOT BE COPIED, TRACED, REPRODUCED, OR LENT WITHOUT WRITTEN CONSENT			<b>A4</b>	<b>ZLRG2172</b>	<b>0</b>

4 3 2 1