

4

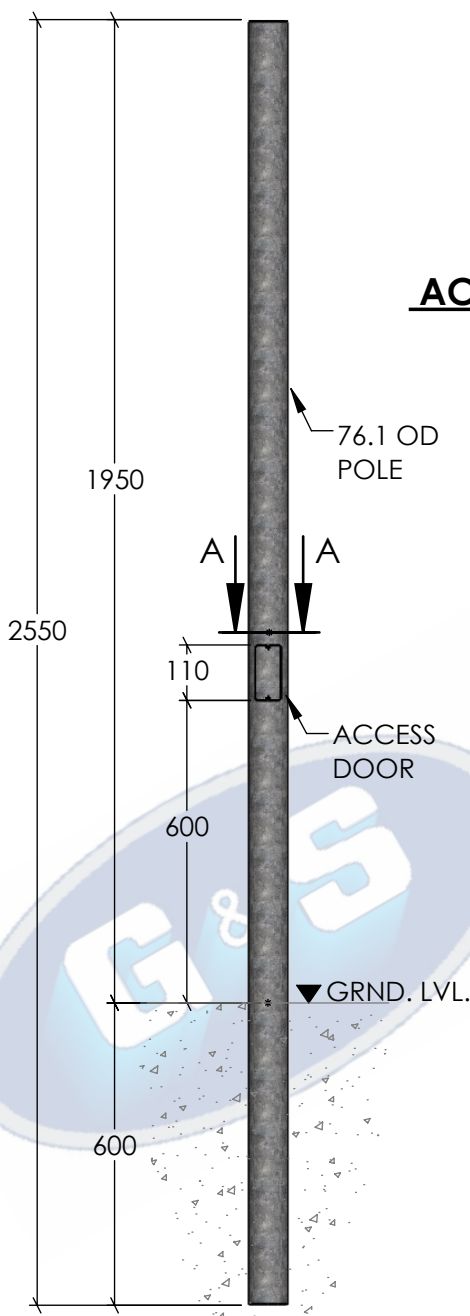
3

2

1

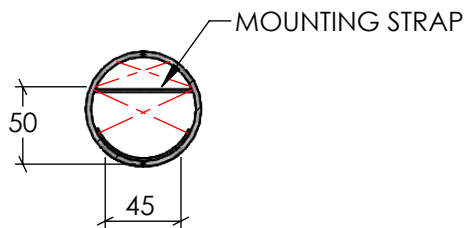
F

F



FRONT ELEVATION

SCALE 1:15

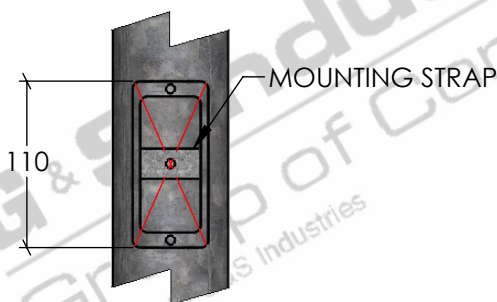


SECTION A-A

ACCESS DOOR CLEARANCE DETAIL

SCALE

1:5



*DOOR REMOVED FOR CLARITY

ELEVATION ON DOOR

SCALE

1:8

ISOMETRIC ELEVATION

SCALE

1:15

D

D

C

C

B

B

A

A

STANDARDS

ALL PRODUCTS TO CONFORM TO THE FOLLOWING AUSTRALIAN STANDARDS

- * AS 1554(set) Structural steel welding set.
- * AS 2159: Piling - Design & Installation.
- * AS 2870: Residential slab footings - Construction.
- * AS 3600: Concrete structures.
- * AS 3678: Structural steel - Hot rolled plates, floorplates and slabs.
- * AS 4680: Hot dip galvanized (Zinc) Coatings on fabricated ferrous articles.
- * AS/NZS 4671: Steel reinforcing materials.
- * AS/NZS 4676: Structural design requirements for utility services poles.



G&S Industries
Group of Companies
97 GUTHRIE STREET,
OSBORNE PARK W.A. 6017
PH : +6108 9446 8044
EMAIL: sales@gsindustries.com.au
WEB: www.gsindustries.com.au

PROPRIETARY AND CONFIDENTIAL

THE INFORMATION CONTAINED IN THIS DRAWING IS THE SOLE PROPERTY OF G&S INDUSTRIES. ANY REPRODUCTION IN PART OR AS A WHOLE WITHOUT THE WRITTEN PERMISSION OF G&S INDUSTRIES IS PROHIBITED.

SCALE: AS SHOWN

PRODUCT FINISH: H.D.G (HOT DIPPED GALVANIZED) PRODUCT WEIGHT: 16.4kg.

CUSTOMER APPROVAL:

CUSTOMER NAME / PROJECT:

NAME DATE

DRAWN N.C. A. 04.06.2020

CHECKED RG 04.06.2020

REVISED N.C. A. 30.06.2020

PART NUMBER : **C76D2.55**

TITLE :
**76.1MM OD X 2.55M
DIRECT BURIED CHS POLE**

COPYRIGHT

THIS DOCUMENT IS PRODUCED BY G&S INDUSTRIES MUST NOT BE COPIED, TRACED, REPRODUCED, OR LENT WITHOUT WRITTEN CONSENT

SIZE DWG. NO. **ZLRG2103**

REV. **0**

SHEET 1 OF 1

4

3

2

1