

4

3

2

1

F

F

E

E

D

D

C

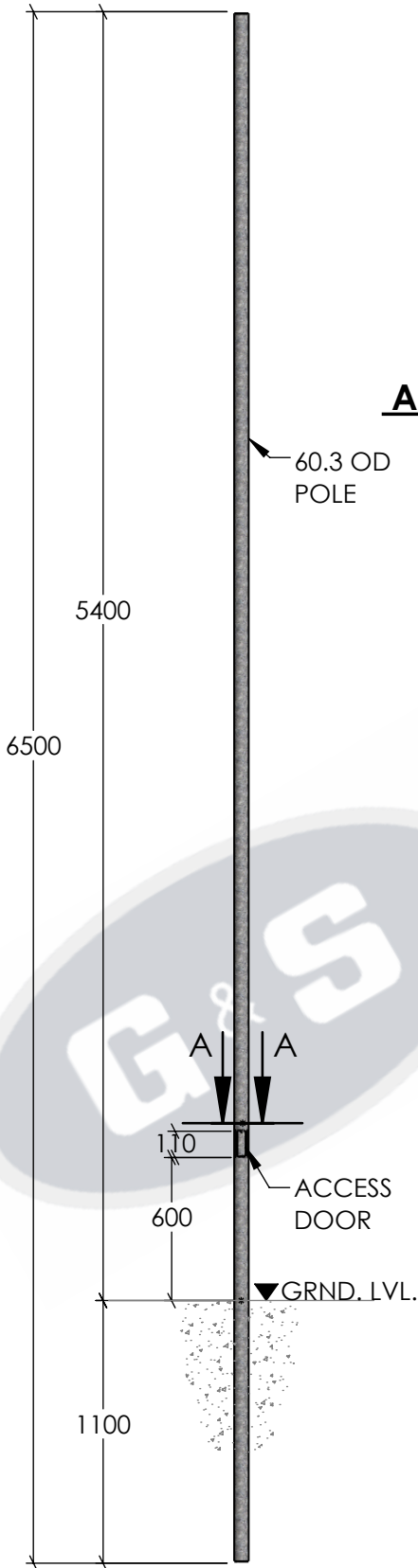
C

B

B

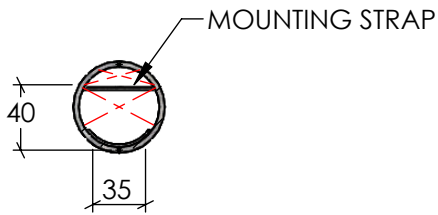
A

A



### FRONT ELEVATION

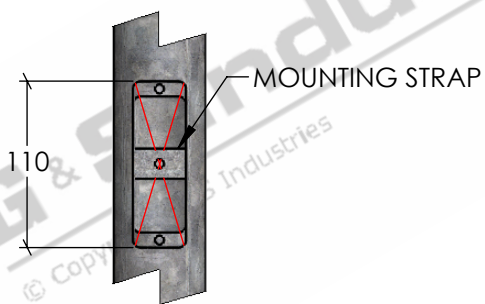
SCALE 1:30



### SECTION A-A

## ACCESS DOOR CLEARANCE DETAIL

SCALE 1:5



\*DOOR REMOVED FOR CLARITY

### ELEVATION ON DOOR

SCALE 1:8

## ISOMETRIC ELEVATION

SCALE 1:30

#### STANDARDS

- ALL PRODUCTS TO CONFORM TO THE FOLLOWING AUSTRALIAN STANDARDS.
- \* AS 1170.2 Structural design actions - Wind actions.
  - \* AS 1554(set) Structural steel welding set.
  - \* AS 2159: Piling - Design & Installation.
  - \* AS 2870: Residential slab footings - Construction.
  - \* AS 3600: Concrete structures.
  - \* AS 3678: Structural steel - Hot rolled plates, floorplates and slabs.
  - \* AS 4680: Hot dip galvanized (Zinc) Coatings on fabricated ferrous articles.
  - \* AS/NZS 4671: Steel reinforcing materials.
  - \* AS/NZS 4600: Cold formed steel structures.



**G & S Industries**  
 97 GUTHRIE STREET,  
 OSBORNE PARK W.A. 6017  
 PH : +6108 9446 8044  
 EMAIL: sales@gsindustries.com.au  
 WEB: www.gsindustries.com.au

**PROPRIETARY AND CONFIDENTIAL**  
 THE INFORMATION CONTAINED IN THIS DRAWING IS THE SOLE PROPERTY OF G&S INDUSTRIES. ANY REPRODUCTION IN PART OR AS A WHOLE WITHOUT THE WRITTEN PERMISSION OF G&S INDUSTRIES IS PROHIBITED.

SCALE: AS SHOWN PRODUCT WEIGHT: 32.5kg.  
 PRODUCT FINISH: HOT DIPPED GALVANIZED

CUSTOMER APPROVAL :  
 CUSTOMER NAME / PROJECT :

	NAME	DATE
DRAWN	N. A.	14.10.2022
CHECKED	S. G.	14.10.2022
APPROVED	R. G.	14.10.2022
<b>COPYRIGHT</b>		
THIS DOCUMENT IS PRODUCED BY G&S INDUSTRIES MUST NOT BE COPIED, TRACED, REPRODUCED, OR LENT WITHOUT WRITTEN CONSENT		

PART NUMBER : <b>C60D6.5</b>	
TITLE : <b>60.3MM OD X 6.5M DIRECT BURIED CHS POLE</b>	
SIZE <b>A4</b>	DWG. NO. <b>ZLRG2098</b>
	REV. <b>0</b>
SHEET 1 OF 1	

4

3

2

1