

4

3

2

1

F

F

E

E

D

D

C

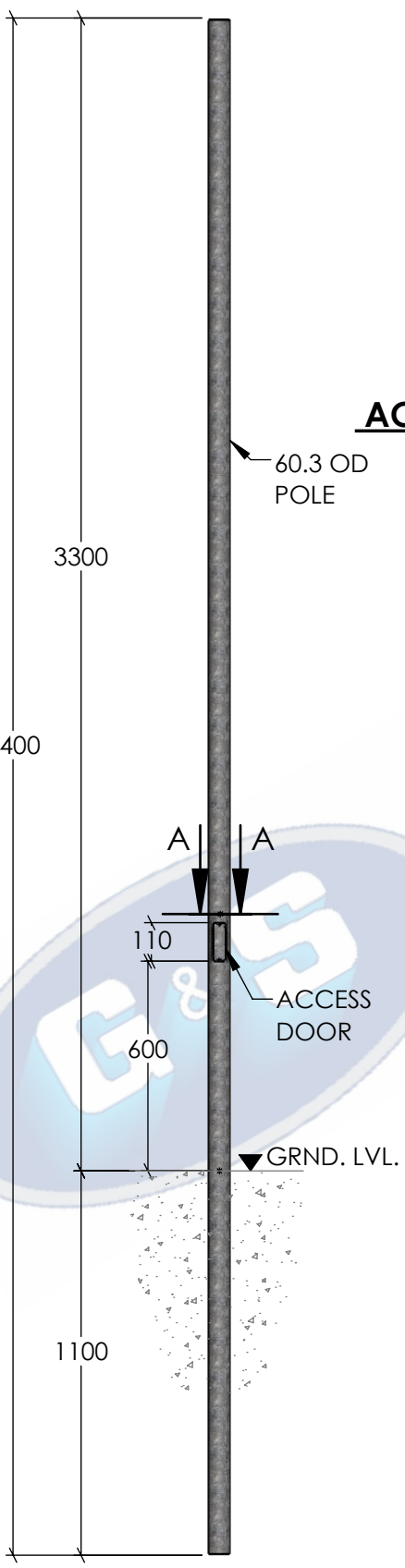
C

B

B

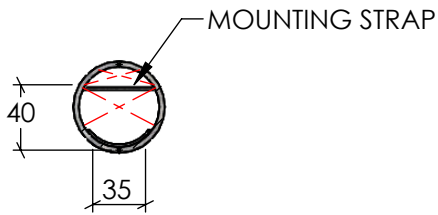
A

A



FRONT ELEVATION

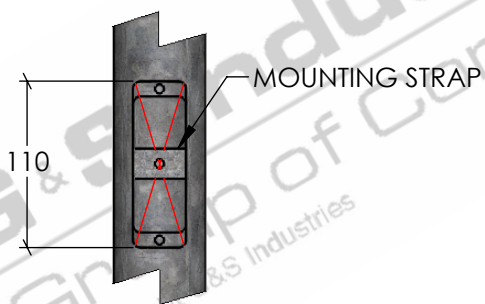
SCALE 1:20



SECTION A-A

ACCESS DOOR CLEARANCE DETAIL

SCALE 1:5



*DOOR REMOVED FOR CLARITY

ELEVATION ON DOOR

SCALE 1:8

ISOMETRIC ELEVATION

SCALE 1:20

STANDARDS

- ALL PRODUCTS TO CONFORM TO THE FOLLOWING AUSTRALIAN STANDARDS
- * AS 1554(set) Structural steel welding set.
- * AS 2159: Piling - Design & Installation.
- * AS 2870: Residential slab footings - Construction.
- * AS 3600: Concrete structures.
- * AS 3678: Structural steel - Hot rolled plates, floorplates and slabs.
- * AS 4680: Hot dip galvanized (Zinc) Coatings on fabricated ferrous articles.
- * AS/NZS 4671: Steel reinforcing materials.
- * AS/NZS 4676: Structural design requirements for utility services poles.



G&S Industries
 Group of Companies
 97 GUTHRIE STREET,
 OSBORNE PARK W.A. 6017
 PH : +6108 9446 8044
 EMAIL: sales@gsindustries.com.au
 WEB: www.gsindustries.com.au

PROPRIETARY AND CONFIDENTIAL
 THE INFORMATION CONTAINED IN THIS DRAWING IS THE SOLE PROPERTY OF G&S INDUSTRIES. ANY REPRODUCTION IN PART OR AS A WHOLE WITHOUT THE WRITTEN PERMISSION OF G&S INDUSTRIES IS PROHIBITED.

SCALE: AS SHOWN

PRODUCT FINISH: H.D.G (HOT DIPPED GALVANIZED) PRODUCT WEIGHT: 22kg.

CUSTOMER APPROVAL:

CUSTOMER NAME / PROJECT:

	NAME	DATE	PART NUMBER :	C60D4.4
DRAWN	N.C. A.	04.06.2020	TITLE :	60.3MM OD X 4.4M DIRECT BURIED CHS POLE
CHECKED	RG	04.06.2020		
REVISED	N.C. A.	30.06.2020		
COPYRIGHT				
THIS DOCUMENT IS PRODUCED BY G&S INDUSTRIES MUST NOT BE COPIED, TRACED, REPRODUCED, OR LENT WITHOUT WRITTEN CONSENT				SIZE DWG. NO. ZLRG2097
				REV. 0

4

3

2

1