

4

3

2

1

F

F

E

E

D

D

C

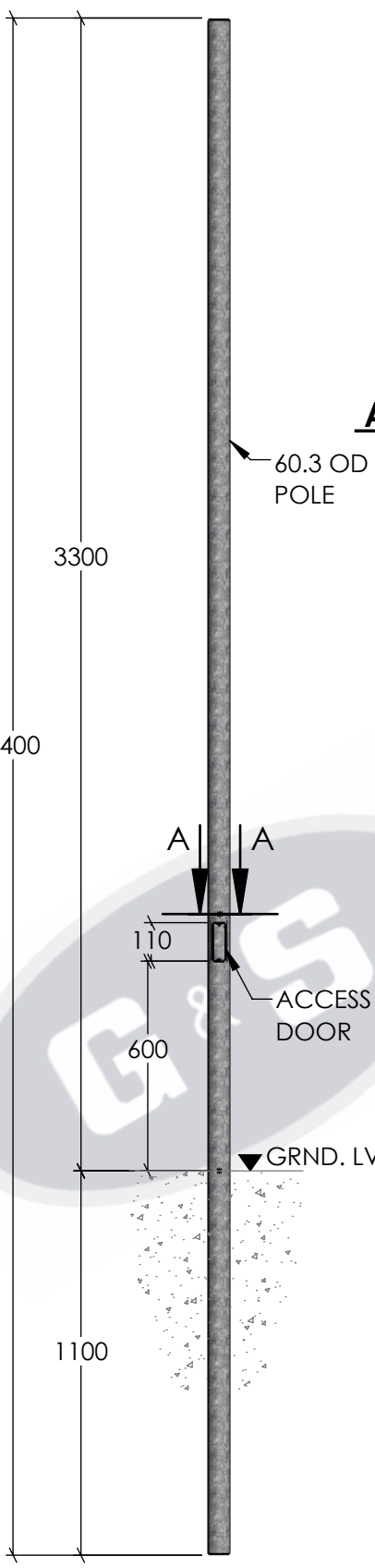
C

B

B

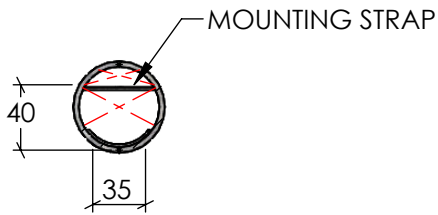
A

A



FRONT ELEVATION

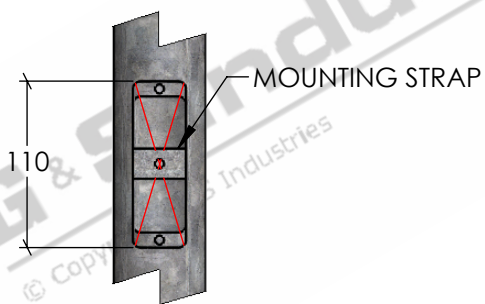
SCALE 1:20



SECTION A-A

ACCESS DOOR CLEARANCE DETAIL

SCALE 1:5



*DOOR REMOVED FOR CLARITY

ELEVATION ON DOOR

SCALE 1:8

ISOMETRIC ELEVATION

SCALE 1:20

STANDARDS

- ALL PRODUCTS TO CONFORM TO THE FOLLOWING AUSTRALIAN STANDARDS.
- * AS 1170.2 Structural design actions - Wind actions.
 - * AS 1554(set) Structural steel welding set.
 - * AS 2159: Piling - Design & Installation.
 - * AS 2870: Residential slab footings - Construction.
 - * AS 3600: Concrete structures.
 - * AS 3678: Structural steel - Hot rolled plates, floorplates and slabs.
 - * AS 4680: Hot dip galvanized (Zinc) Coatings on fabricated ferrous articles.
 - * AS/NZS 4671: Steel reinforcing materials.
 - * AS/NZS 4600: Cold formed steel structures.



G & S Industries
 97 GUTHRIE STREET,
 OSBORNE PARK W.A. 6017
 PH : +6108 9446 8044
 EMAIL: sales@gsindustries.com.au
 WEB: www.gsindustries.com.au

PROPRIETARY AND CONFIDENTIAL
 THE INFORMATION CONTAINED IN THIS DRAWING IS THE SOLE PROPERTY OF G&S INDUSTRIES. ANY REPRODUCTION IN PART OR AS A WHOLE WITHOUT THE WRITTEN PERMISSION OF G&S INDUSTRIES IS PROHIBITED.

SCALE: AS SHOWN PRODUCT WEIGHT: 22kg.
 PRODUCT FINISH: HOT DIPPED GALVANIZED

CUSTOMER APPROVAL:

CUSTOMER NAME / PROJECT:

	NAME	DATE
DRAWN	N. A.	14.10.2022
CHECKED	S. G.	14.10.2022
APPROVED	R. G.	14.10.2022

COPYRIGHT
 THIS DOCUMENT IS PRODUCED BY G&S INDUSTRIES
 MUST NOT BE COPIED, TRACED, REPRODUCED,
 OR LENT WITHOUT WRITTEN CONSENT

PART NUMBER : C60D4.4	
TITLE : 60.3MM OD X 4.4M DIRECT BURIED CHS POLE	
SIZE A4	DWG. NO. ZLRG2097
	REV. 0

SHEET 1 OF 1

4

3

2

1