

4

3

2

1

F

F

E

E

D

D

C

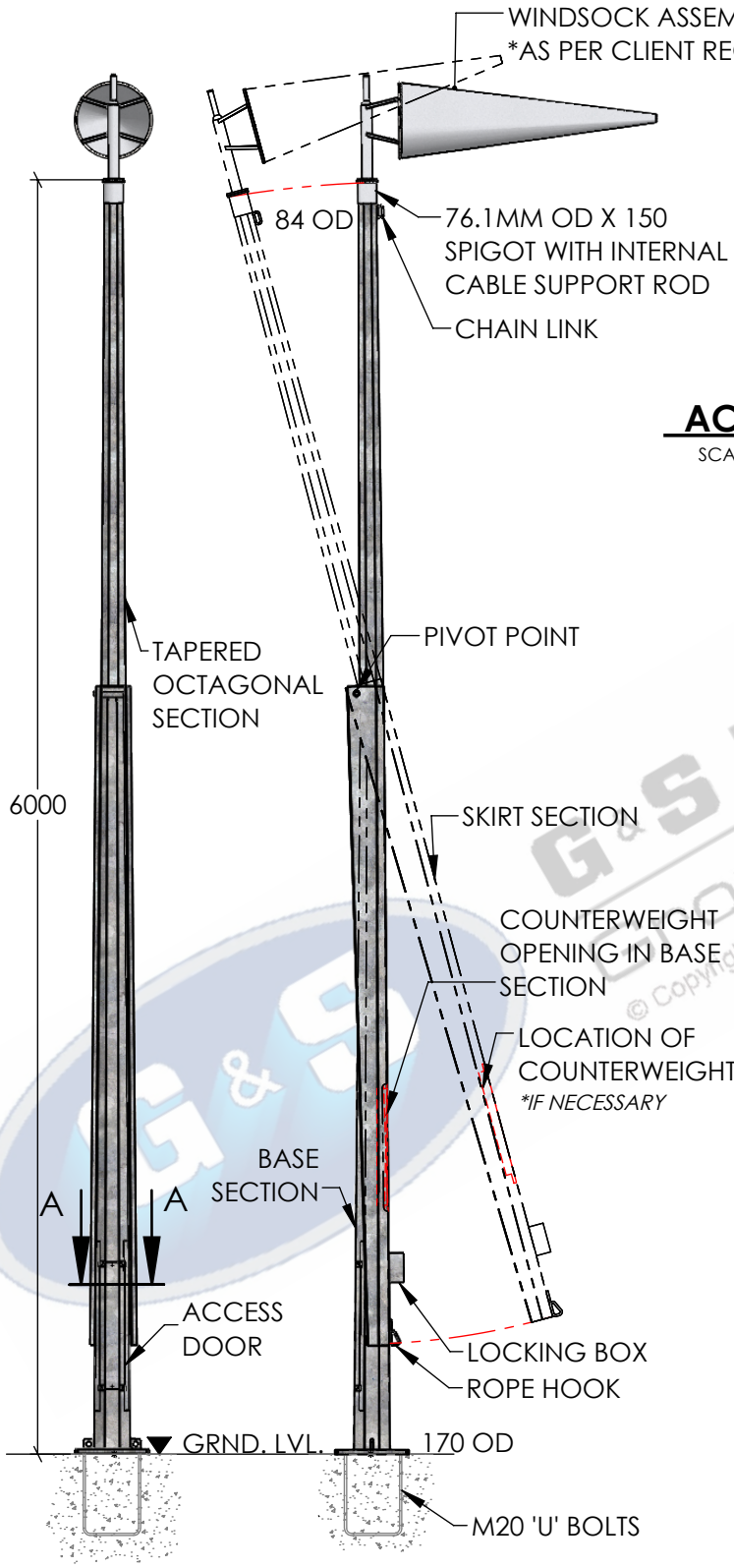
C

B

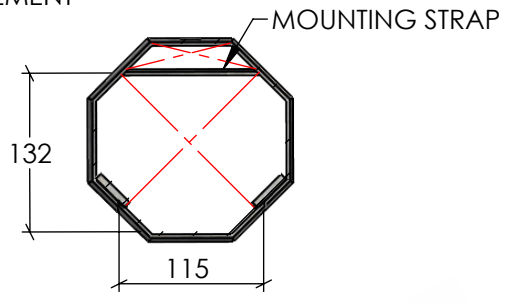
B

A

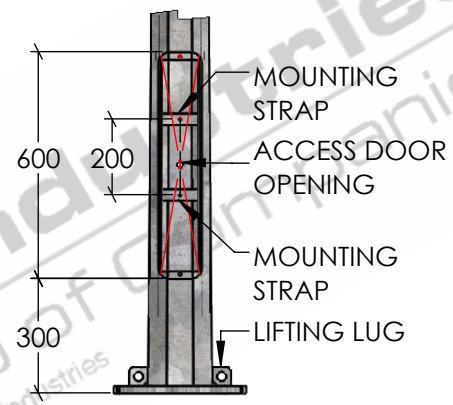
A



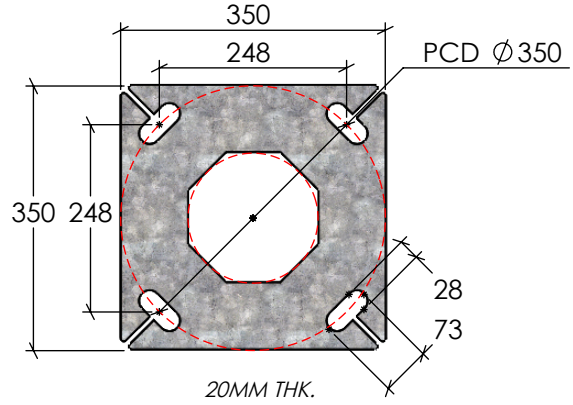
FRONT & SIDE ELEVATION
SCALE 1:35



ACCESS DOOR CLEARANCE DETAILS
SCALE 1:8



ELEVATION ON DOOR
SCALE 1:20



BASEPLATE DETAILS
SCALE 1:10

STANDARDS
ALL PRODUCTS TO CONFORM TO THE FOLLOWING AUSTRALIAN STANDARDS

- * AS 1554(set) Structural steel welding set.
- * AS 2159: Piling - Design & Installation.
- * AS 2870: Residential slab footings - Construction.
- * AS 3600: Concrete structures.
- * AS 3678: Structural steel - Hot rolled plates, floorplates and slabs.
- * AS 4680: Hot dip galvanized (Zinc) Coatings on fabricated ferrous articles.
- * AS/NZS 4671: Steel reinforcing materials.
- * AS/NZS 4676: Structural design requirements for utility services poles.



G&S Industries
Group of Companies
97 GUTHRIE STREET,
OSBORNE PARK W.A. 6017
PH : +6108 9446 8044
EMAIL: sales@gsindustries.com.au
WEB: www.gsindustries.com.au

PROPRIETARY AND CONFIDENTIAL	
THE INFORMATION CONTAINED IN THIS DRAWING IS THE SOLE PROPERTY OF G&S INDUSTRIES. ANY REPRODUCTION IN PART OR AS A WHOLE WITHOUT THE WRITTEN PERMISSION OF G&S INDUSTRIES IS PROHIBITED.	
SCALE: AS SHOWN	
PRODUCT FINISH: H.D.G (HOT DIPPED GALVANIZED)	PRODUCT WEIGHT: 126kg. *POLE ONLY
CUSTOMER APPROVAL:	
CUSTOMER NAME / PROJECT:	

NAME	DATE
DRAWN N.C. A.	04.06.2020
CHECKED RG	04.06.2020
REVISED N.C. A.	30.06.2020
COPYRIGHT	
THIS DOCUMENT IS PRODUCED BY G&S INDUSTRIES MUST NOT BE COPIED, TRACED, REPRODUCED, OR LENT WITHOUT WRITTEN CONSENT	

PART NUMBER :	WIMH6BM	
TITLE :	6M WIND INDICATOR MEDIUM DUTY MID-HINGED BASE MOUNTED TAPERED OCTAGONAL POLE	
SIZE A4	DWG. NO. ZLRG2062-1	REV. 0

4

3

2

1