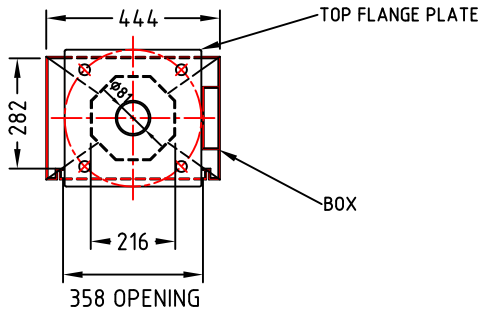
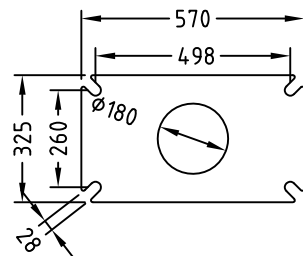


1 2 3 4

A

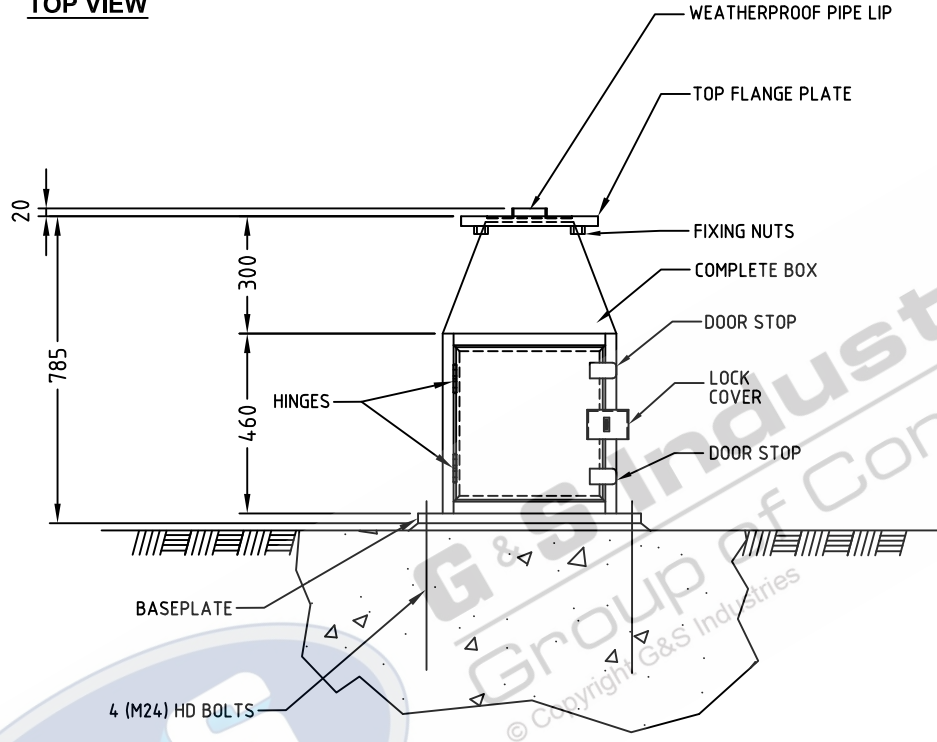


**TOP VIEW**



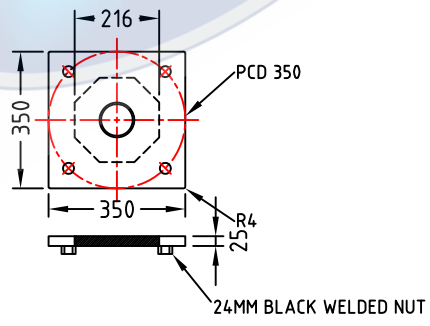
BASEPLATE THICKNESS: 25mm  
**LOWER BASEPLATE DETAILS**

B

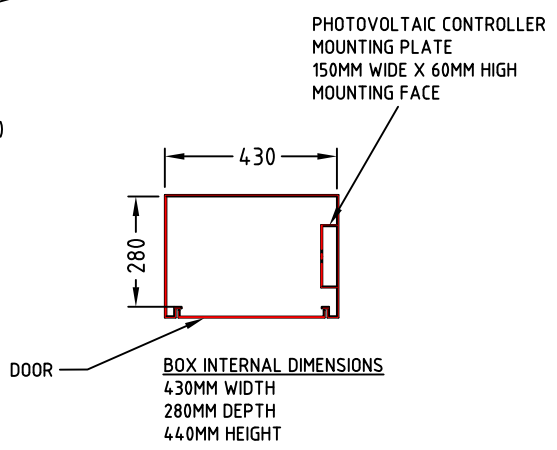


**FRONT ELEVATION**  
DOOR OPENING 358MM(W) X 410MM(H)  
BOX DEPTH 282MM

C



**TOP FLANGE PLATE DETAILS**



- STANDARDS**  
ALL PRODUCTS TO CONFORM TO THE FOLLOWING AUSTRALIAN STANDARDS
- × AS 1170.2: Structural design actions - Wind actions.
  - × AS 1302: Geometrical product specifications indication of surface texture in technical production documentation.
  - × AS 1554(aet): Structural steel welding set.
  - × AS 2159: Piling - Design & Installation.
  - × AS 2870: Residential slab footings - Construction.
  - × AS 3600: Concrete structures.
  - × AS 3678: Structural steel - Hot rolled plates, floorplates and slabs.
  - × AS 4680: Hot dip galvanized (Zinc) coatings on fabricated ferrous articles.
  - × AS/NZS 4671: Steel reinforcing materials.
  - × AS/NZS 4600: Cold formed steel structures.
  - × AS/NZS 4676: Structural design requirements for utility services poles.

PRODUCT WEIGHT: 80.00KG'S

E



JOB NO. \_\_\_\_\_ DATE: \_\_\_\_\_  
**SCBOX**  
**SOLAR BATTERY BOX**  
700008

DESIGN: S.G.  
CHECKED: R.G.  
LAST REVISED: 02 FEB '17  
DRAWING: ZLRG1977

DRAWN: Z.L.  
APPROVED: Y  
SCALE: NTS  
REVISION: 03

97 GUTHRIE STREET, OSBORNE PARK W.A. 6017  
PH (08) 9446 8044, (08) 9446 8266  
FAX (08) 9446 5456

1 2 3 4