

1 2 3 4

A

B

C

D

E

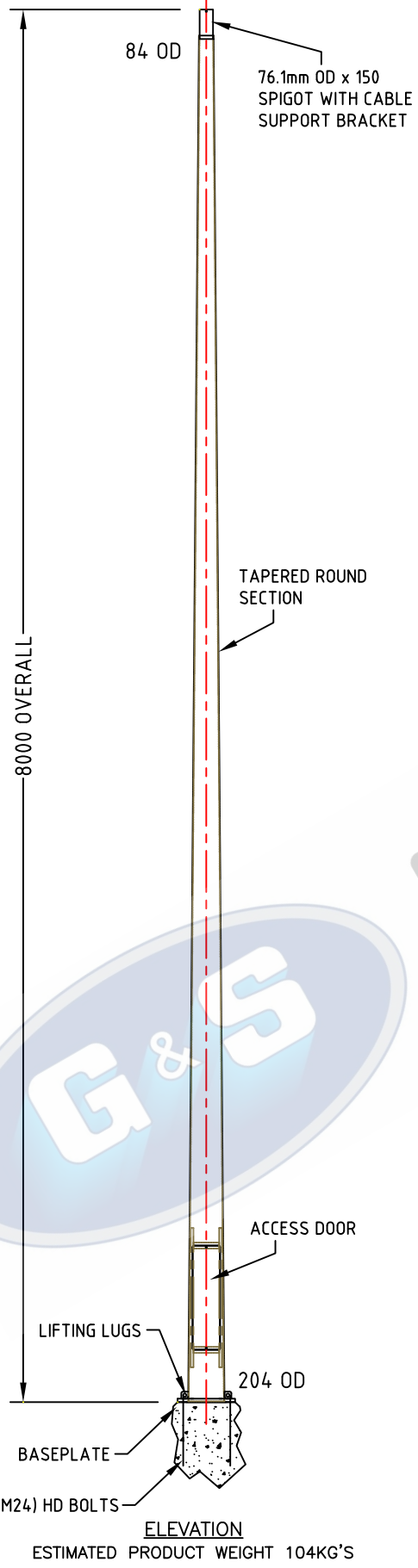
A

B

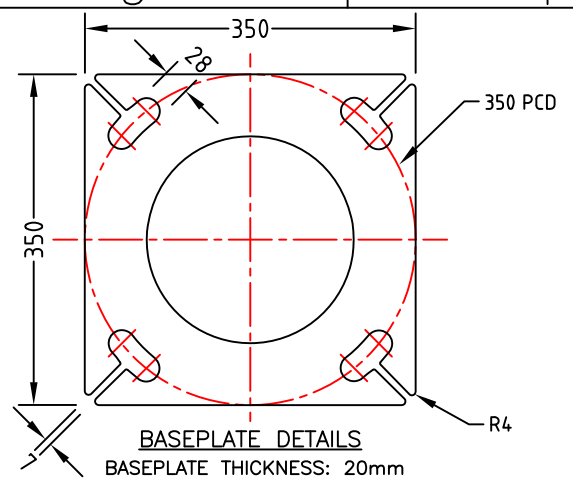
C

D

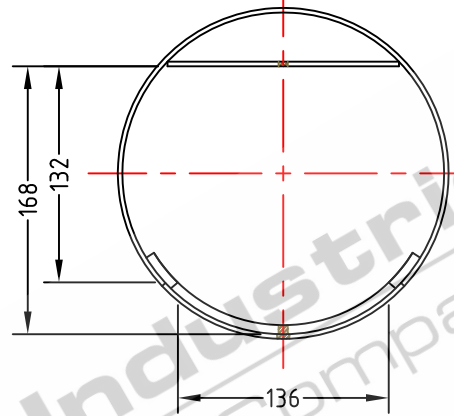
E



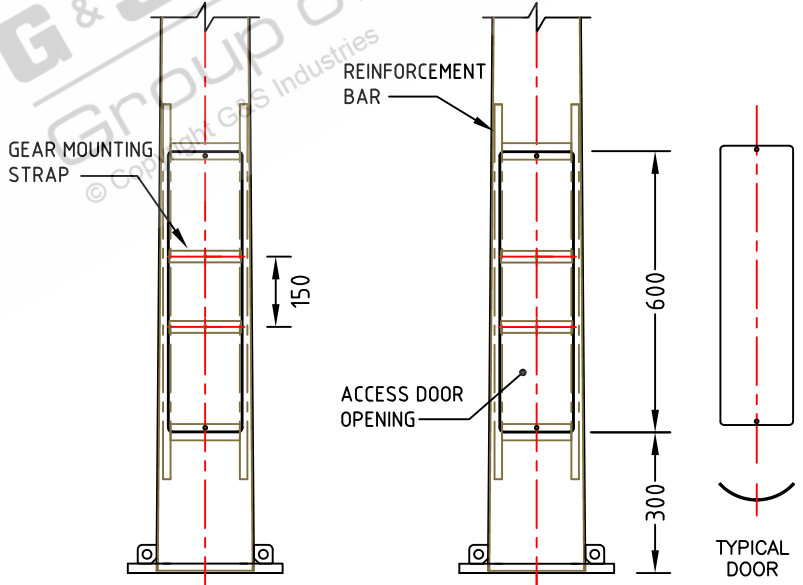
ELEVATION
ESTIMATED PRODUCT WEIGHT 104KG'S



BASEPLATE DETAILS
BASEPLATE THICKNESS: 20mm



CONTROL GEAR CLEARANCE DETAILS



DOOR ELEVATION
DOORS REMOVED FOR CLARITY

- STANDARDS**
ALL PRODUCTS TO CONFORM TO THE FOLLOWING AUSTRALIAN STANDARDS
- * AS 3678: 1990 Structural steel – hot rolled plates, floor plates and slabs. Grade 250 up to 3mm and Grade 300 on 4mm plate.
 - * AS 4680: 1999 Hot dipped galvanised (zinc) coating on fabricated ferrous articles.
 - * AS 1554 1:2004 Structural steel welding – Part 1: welding of steel structures.
 - * AS/NZS 1170 2:2002 Structural design actions – wind actions.
 - * AS/NZS 1170 2:2002/AMDT 1:2005-06-03 Structural design actions – wind actions.
 - * AS/NZS 4676:2000 Structural design requirements for utility service poles.



97 GUTHRIE STREET, OSBORNE PARK W.A. 6017
PH (08) 9446 8044, (08) 9446 8286
FAX (08) 9446 5456

JOB NO.	DATE: 28.11.16	DESIGN: R.G.	DRAWN: L.W.
8M FIXED TAPERED ROUND COLUMN FR8BM		CHECKED: B.M.	APPROVED: S.G.
		LAST REVISED: 07.03.17	SCALE: NTS SHEET: A4
		DRAWING: ZLRG2816	REVISION: 01 SHEET: 1 of 1

1 2 3 4