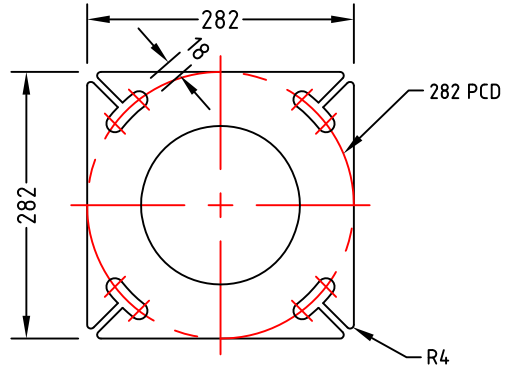
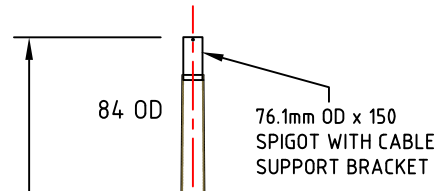


1 2 3 4

A

A



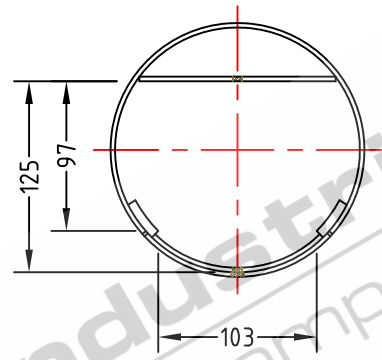
**BASEPLATE DETAILS**  
BASEPLATE THICKNESS: 16mm

B

B

6000 OVERALL

TAPERED ROUND SECTION



**CONTROL GEAR CLEARANCE DETAILS**

C

C

GEAR MOUNTING STRAP

REINFORCEMENT BAR

150

ACCESS DOOR OPENING

600

300

TYPICAL DOOR

**DOOR ELEVATION**  
DOORS REMOVED FOR CLARITY

D

D

ACCESS DOOR

LIFTING LUGS

174 OD

BASEPLATE

4 (M16) HD BOLTS

**ELEVATION**

- STANDARDS**  
ALL PRODUCTS TO CONFORM TO THE FOLLOWING AUSTRALIAN STANDARDS
- \* AS 3678: 1990 Structural steel – hot rolled plates, floor plates and slabs. Grade 250 up to 3mm and Grade 300 on 4mm plate.
  - \* AS 4680: 1999 Hot dipped galvanised (zinc) coating on fabricated ferrous articles.
  - \* AS 1554 1:2004 Structural steel welding – Part 1: welding of steel structures.
  - \* AS/NZS 1170 2:2002 Structural design actions – wind actions.
  - \* AS/NZS 1170 2:2002/AMDT 1:2005–06–03 Structural design actions – wind actions.
  - \* AS/NZS 4676:2000 Structural design requirements for utility service poles.

ESTIMATED PRODUCT WEIGHT 69KG'S

E

E



JOB NO.	DATE: 28.11.16	DESIGN: R.G.	DRAWN: L.W.
6M FIXED TAPERED ROUND COLUMN FR6BM		CHECKED: B.M.	APPROVED: S.G.
		LAST REVISED: 07.03.17	SCALE: NTS
		DRAWING: ZLRG2818	SHEET: A4
		REVISION: 03	SHEET: 1 of 1

97 GUTHRIE STREET, OSBORNE PARK W.A. 6017  
PH (08) 9446 8044, (08) 9446 8266  
FAX (08) 9446 5456

1 2 3 4