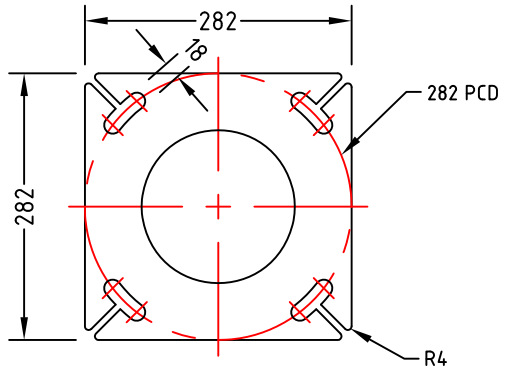
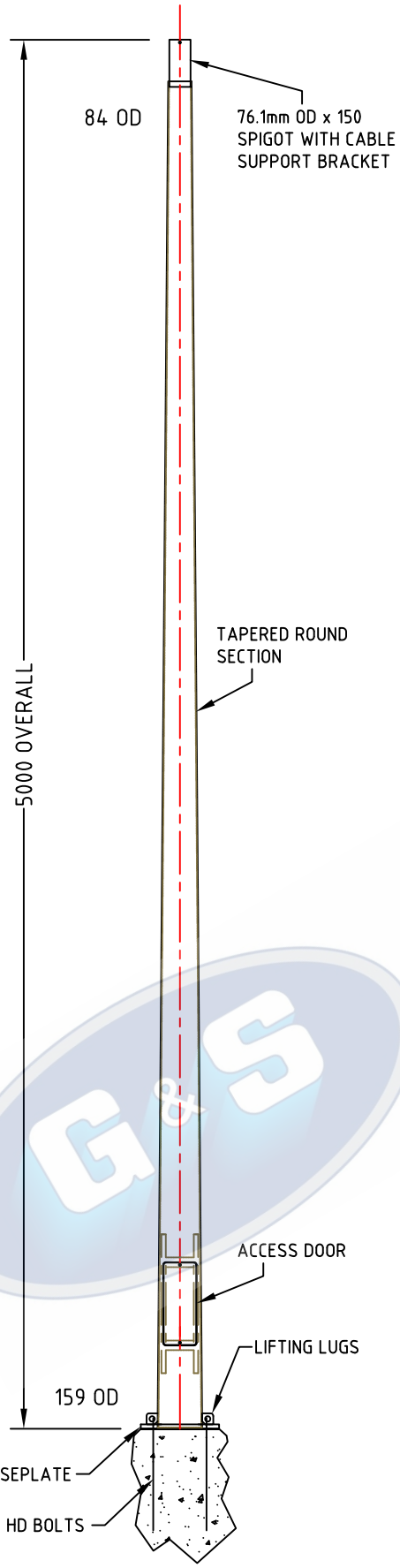


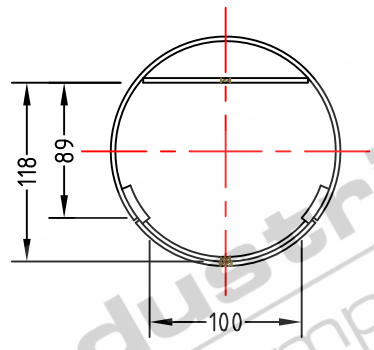
1 2 3 4

A

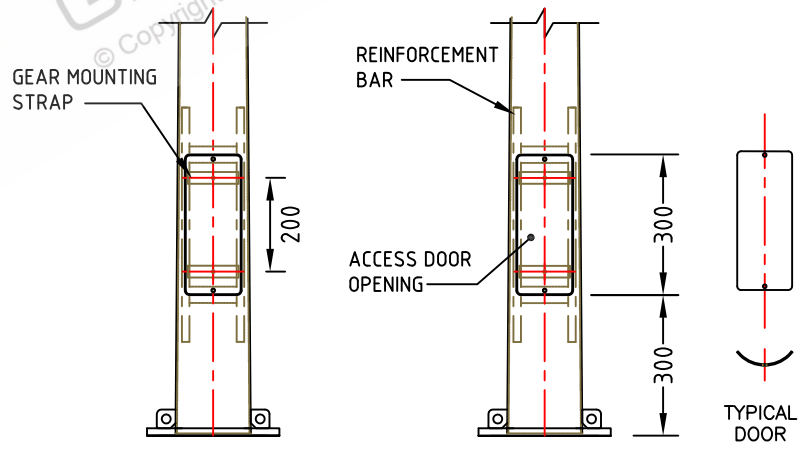
A



BASEPLATE DETAILS
BASEPLATE THICKNESS: 16mm



CONTROL GEAR CLEARANCE DETAILS



DOOR ELEVATION
DOORS REMOVED FOR CLARITY

STANDARDS
ALL PRODUCTS TO CONFORM TO THE FOLLOWING AUSTRALIAN STANDARDS

- * AS 3678: 1990 Structural steel – hot rolled plates, floor plates and slabs. Grade 250 up to 3mm and Grade 300 on 4mm plate.
- * AS 4680: 1999 Hot dipped galvanised (zinc) coating on fabricated ferrous articles.
- * AS 1554 1:2004 Structural steel welding – Part 1: welding of steel structures.
- * AS/NZS 1170 2:2002 Structural design actions – wind actions.
- * AS/NZS 1170 2:2002/AMDT 1:2005-06-03 Structural design actions – wind actions.
- * AS/NZS 4676:2000 Structural design requirements for utility service poles.

ESTIMATED PRODUCT WEIGHT 56KG'S

 G&S Industries 97 GUTHRIE STREET, OSBORNE PARK W.A. 6017 PH (08) 9446 8044, (08) 9446 8286 FAX (08) 9446 5456	JOB NO.	DATE: 28.11.16	DESIGN: R.G.	DRAWN: L.W.	
	5M FIXED TAPERED ROUND COLUMN FR5BM		CHECKED: B.M.	APPROVED: S.G.	
			LAST REVISED: 10.02.17	SCALE: NTS	SHEET: A4
			DRAWING: ZLRG2819	REVISION: 01	SHEET: 1 of 1

1 2 3 4

E

E