

1 2 3 4

A

A

B

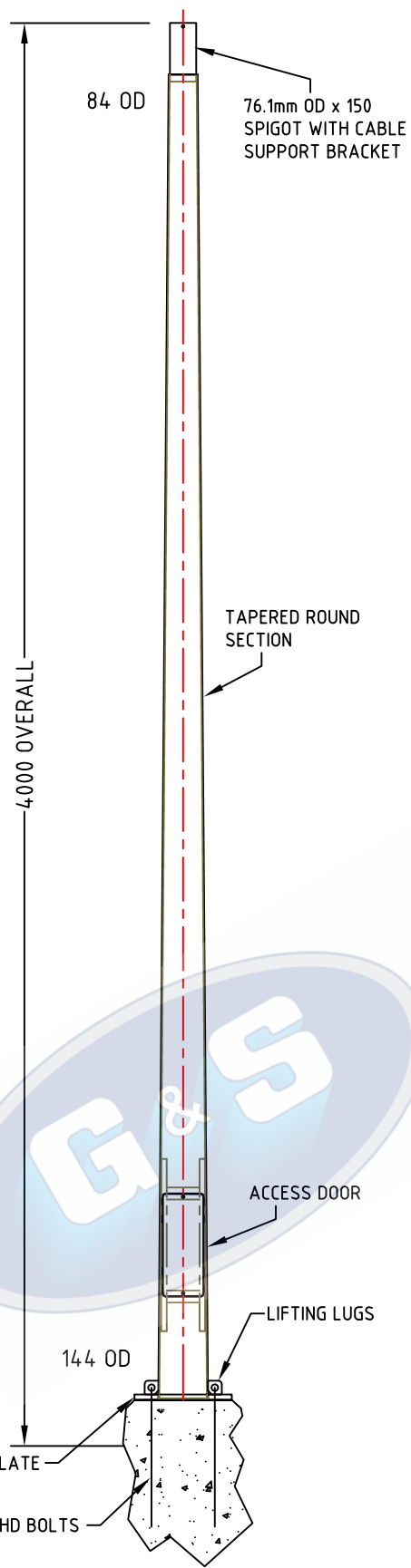
B

C

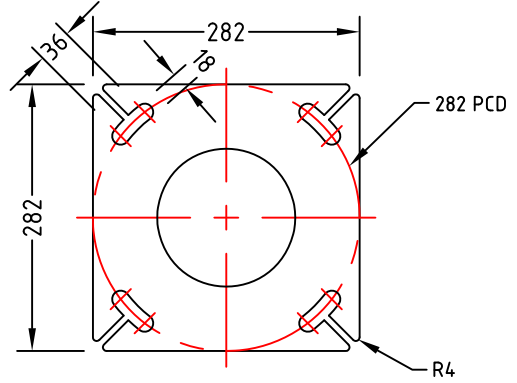
C

D

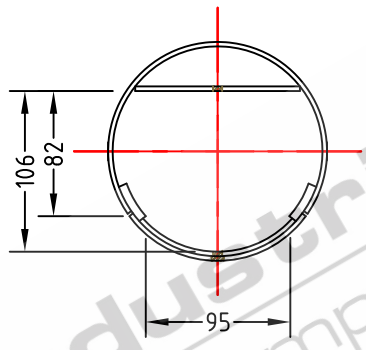
D



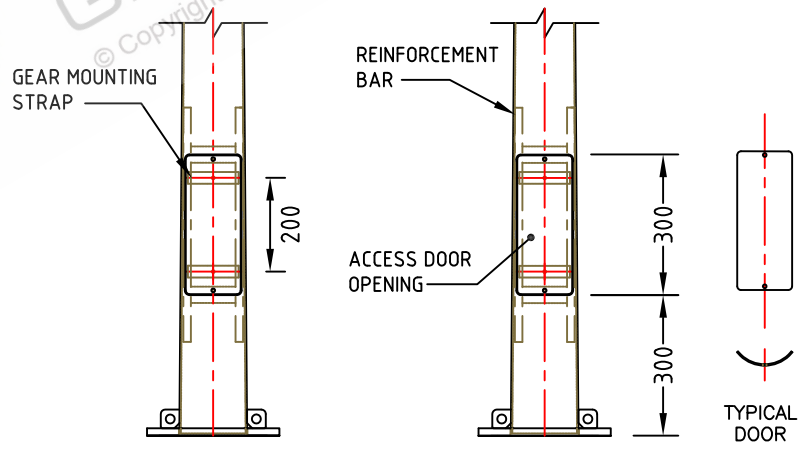
ELEVATION



BASEPLATE DETAILS
BASEPLATE THICKNESS: 16mm



CONTROL GEAR CLEARANCE DETAILS



DOOR ELEVATION
DOORS REMOVED FOR CLARITY

- STANDARDS**
ALL PRODUCTS TO CONFORM TO THE FOLLOWING AUSTRALIAN STANDARDS
- * AS 3678: 1990 Structural steel – hot rolled plates, floor plates and slocs. Grade 250 up to 3mm and Grade 300 on 4mm plate.
 - * AS 4680: 1999 Hot dipped galvanised (zinc) coating on fabricated ferrous articles.
 - * AS 1554 1:2004 Structural steel welding – Part 1: welding of steel structures.
 - * AS/NZS 1170 2:2002 Structural design actions – wind actions.
 - * AS/NZS 1170 2:2002/AMDT 1:2005-06-03 Structural design actions – wind actions.
 - * AS/NZS 4676:2000 Structural design requirements for utility service poles.

ESTIMATED PRODUCT WEIGHT 43KG'S

G&S Industries

97 GUTHRIE STREET, OSBORNE PARK W.A. 6017
PH (08) 9446 8044, (08) 9446 8286
FAX (08) 9446 5456

JOB NO.	DATE: 28.11.16
4M FIXED TAPERED ROUND COLUMN FR4BM	

DESIGN: R.G.	DRAWN: L.W.
CHECKED: B.M.	APPROVED: S.G.
LAST REVISED: 10.02.17	SCALE: NTS
DRAWING: ZLRG2820	SHEET: A4
REVISION: 01	SHEET: 1 of 1

1 2 3 4