

1

2

3

4

A

A

B

B

C

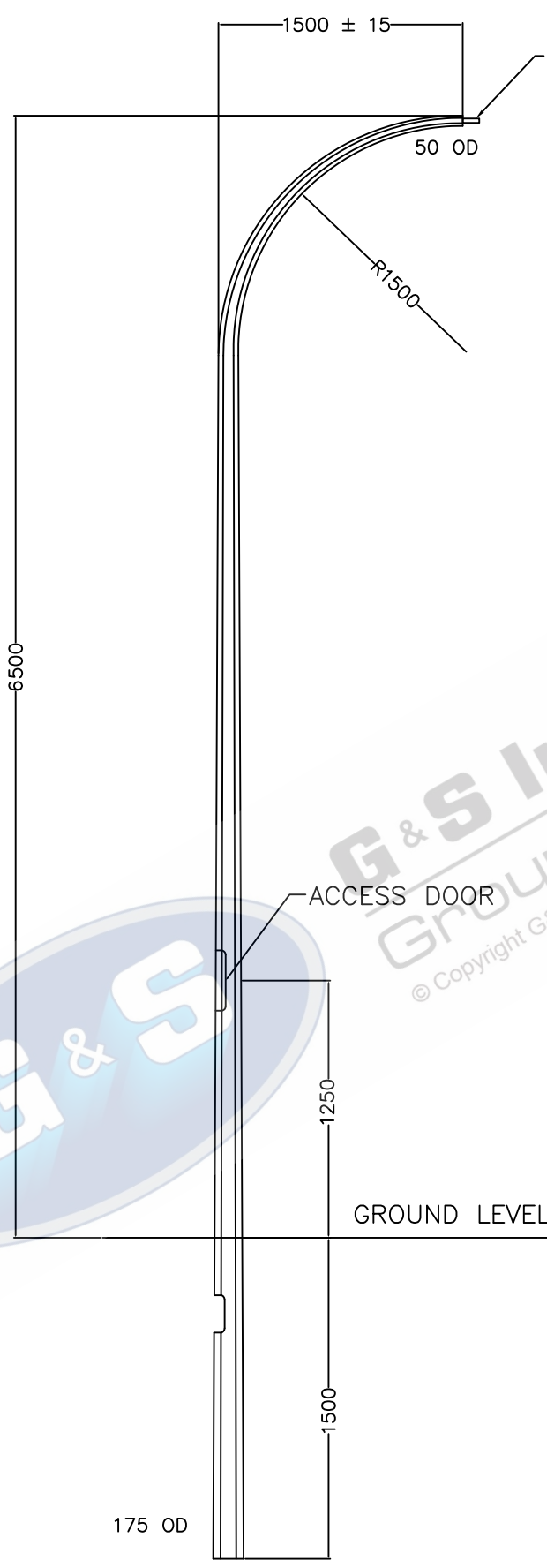
C

D

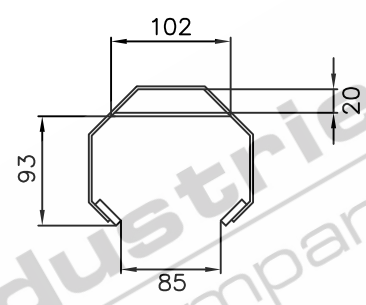
D

E

E



COMES WITH 340D SPIGOT
AS STANDARD, CAN BE
MODIFIED TO SUIT CLIENT
SPECIFICATION



ACCESS DOOR

ACCESS DOOR

GROUND LEVEL

175 OD

COLUMN WEIGHT: 82.00KG'S

- STANDARDS**
ALL PRODUCTS TO CONFORM TO THE FOLLOWING AUSTRALIAN STANDARDS
- * AS 1170.2: Structural design actions - Wind actions.
 - * AS 1302: Geometrical product specifications indication of surface texture in technical production documentation.
 - * AS 1554(set) Structural steel welding set.
 - * AS 2159: Piling - Design & Installation.
 - * AS 2870: Residential slab footings - Construction.
 - * AS 3600: Concrete structures.
 - * AS 3678: Structural steel - Hot rolled plates, floorplates and slabs.
 - * AS 4680: Hot dip galvanized (Zinc) Coatings on fabricated ferrous articles.
 - * AS/NZS 4671: Steel reinforcing materials.
 - * AS/NZS 4600: Cold formed steel structures.
 - * AS/NZS 4676: Structural design requirements for utility services poles.



G&S Industries

97 GUTHRIE STREET, OSBORNE PARK W.A. 6017
PH (08) 9446 8044. (08) 9446 8266
FAX (08) 9446 5456

JOB NO.	DATE: 4 SEPT '06	DESIGN: S.G.	DRAWN: Z.L.
DIRECT BURIAL 6,5M STANDARD STREETLIGHTING SL6.5MID 620001		CHECKED: R.G.	APPROVED: Y
		LAST REVISED: 14.05.16	SCALE: NTS
		DRAWING: ZLRG2161	REVISION: 03

1

2

3

4