

1

2

3

4

A

A

B

B

C

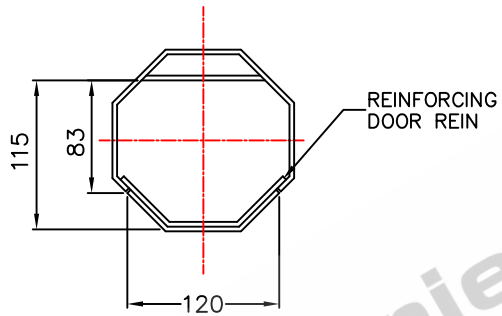
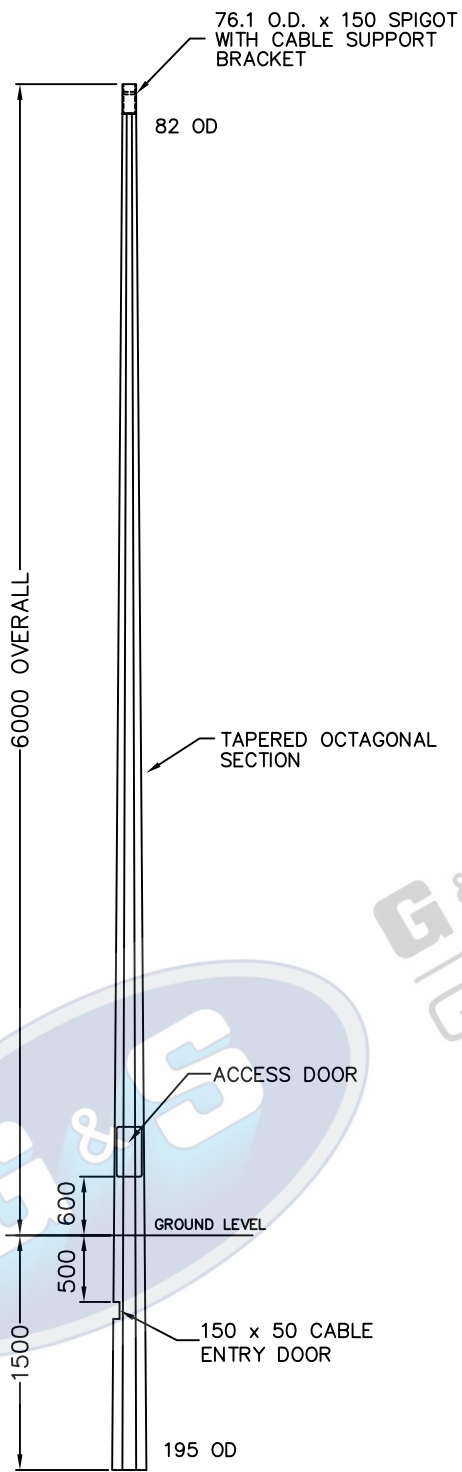
C

D

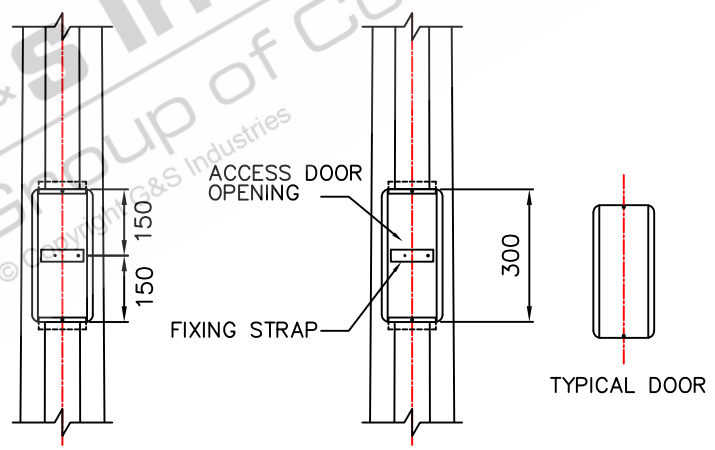
D

E

E



**CONTROL GEAR CLEARANCE DETAILS**



**ELEVATION ON DOOR**  
DOOR REMOVED FOR CLARITY

**ELEVATION**

TOTAL WEIGHT OF COLUMN: 85KG'S

- STANDARDS**  
ALL PRODUCTS TO CONFORM TO THE FOLLOWING AUSTRALIAN STANDARDS
- \* AS 1170.2: Structural design actions - Wind actions.
  - \* AS 1302: Geometrical product specifications indication of surface texture in technical production documentation.
  - \* AS 1554(amt) Structural steel welding set.
  - \* AS 2159: Piling - Design & Installation.
  - \* AS 2870: Residential slab footings - Construction.
  - \* AS 3600: Concrete structures.
  - \* AS 3678: Structural steel - Hot rolled plates, floorplates and slabs.
  - \* AS 4680: Hot dip galvanized (Zinc) Coatings on fabricated ferrous articles.
  - \* AS/NZS 4671: Steel reinforcing materials.
  - \* AS/NZS 4600: Cold formed steel structures.
  - \* AS/NZS 4676: Structural design requirements for utility services poles.



G&S Industries

97 GUTHRIE STREET, OSBORNE PARK W.A. 6017  
PH (08) 9446 8044. (08) 9446 8266  
FAX (08) 9446 5456

JOB NO.	DATE: 14.05.14	DESIGN: S.G.	DRAWN: L.W.
6M FIXED TAPERED OCTAGONAL COLUMN	CHECKED: R.G.	APPROVED: Y	
F6DM	LAST REVISED: 14.05.16	SCALE: NTS	
	DRAWING: ZLRG2213-CA	REVISION: 01	

1

2

3

4