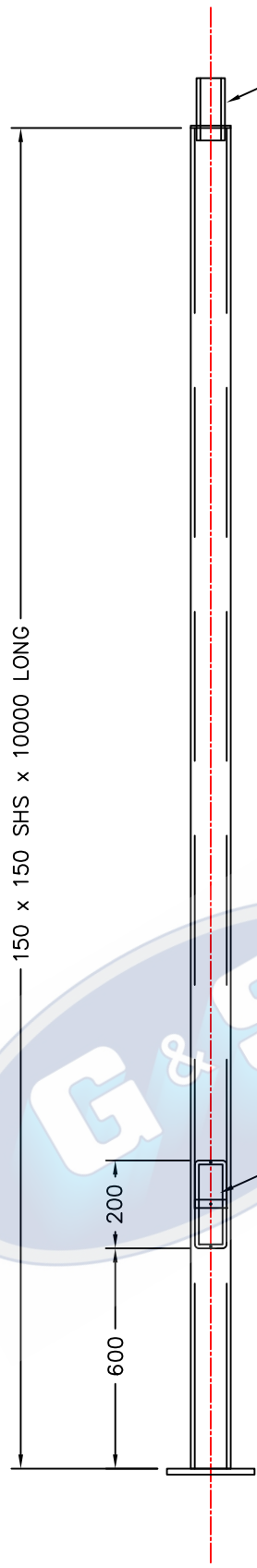


1 2 3 4

A

A



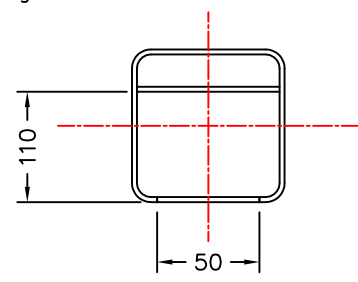
Spigot to suit headframe or light fitting.

150 x 150 SHS x 10000 LONG

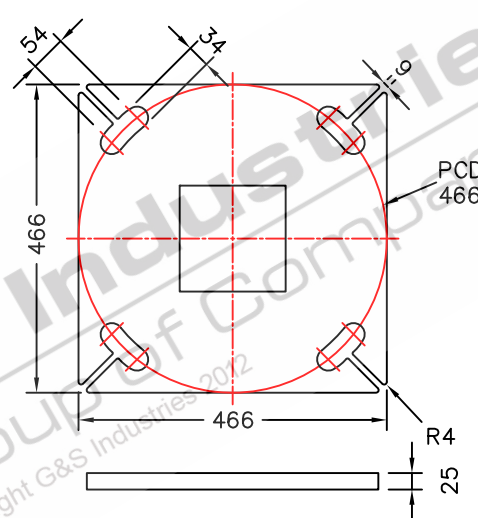
200
600

Flush door 200x50 clear opening with 1x fuse mounting strap C/W 6mm tapped hole.

COLUMN WEIGHT: 238 KG'S



DOOR CLEARANCES



D3B
BASEPLATE DETAILS

- STANDARDS**
 ALL PRODUCTS TO CONFORM TO THE FOLLOWING AUSTRALIAN STANDARDS
 * AS 1170.2: Structural design actions – Wind actions.
 * AS 1302: Geometrical product specifications indication of surface texture in technical production documentation.
 * AS 1554(set) Structural steel welding set.
 * AS 2159: Piling – Design & Installation.
 * AS 2870: Residential slab footings – Construction.
 * AS 3600: Concrete structures.
 * AS 3678: Structural steel – Hot rolled plates, floorplates and slabs.
 * AS 4680: Hot dip galvanized (Zinc) Coatings on fabricated ferrous articles.
 * AS/NZS 4671: Steel reinforcing materials.
 * AS/NZS 4600: Cold formed steel structures.
 * AS/NZS 4676: Structural design requirements for utility services poles.

B

B

C

C

D

D

E

E



97 GUTHRIE STREET OSBORNE PARK W.A. 6017
 PH. (08) 9446 8044, (08) 9446 8266
 FAX (08) 9446 5456

JOB No
 DATE:
 DESIGN: SG
 DRAWN: ZL
 CHECKED: RG
 APPROVED: Y
 LAST REVISED: 27 NOV '10
 SCALE: NTS
 DRAWING: ZLRG2126
 REVISION: 02
 SQUARE SHS COLUMN S150B10
 10m POST TOP COLUMN
 BASEPLATE MOUNTED
 660016

1 2 3 4